

# TC-K679ES/K690

## SERVICE MANUAL

*US Model*

TC-K679ES

TC-K690

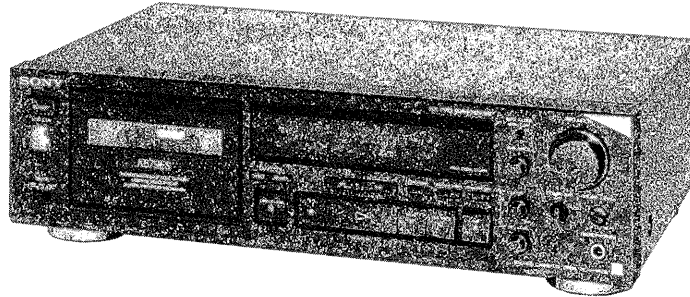
*Canadian Model*

*UK Model*

TC-K679ES

*AEP Model*

TC-K690




Dolby noise reduction manufactured under license from Dolby Laboratories Licensing Corporation. "DOLBY" and the double-D symbol  are trademarks of Dolby Laboratories Licensing Corporation.

Photo:TC-K679ES

### SPECIFICATIONS

Recording system 4-track 2-channel stereo  
Fast winding time Approx. 90 sec. (with Sony C-60 cassette)  
Bias AC bias  
Heads Erasing head × 1 (S&F head)  
Recording head × 1 (SD head)  
Playback head × 1 (LA head) (K679ES)  
Playback head × 1 (SD head) (K690)  
Motors Capstan motor × 1 (DC servo motor)  
Reel motor × 1 (DC motor)  
ASIST (mechanical drive) motor × 1 (DC motor)

Signal-to-noise ratio (at peak level)

Cassette (Dolby NR OFF)	Type IV (Sony Metal-Select/S)	Type II (Sony UX-S)	Type I (Sony HF-S)
	60 dB	59 dB	57 dB

Measured at peak level weighted without NR. The S/N is improved by about 15 dB at 500 Hz and by about 20 dB about 1 kHz with Dolby-C NR on, and by 5 dB at 1 kHz and by 10 dB about 5 kHz with Dolby-B NR on.

Harmonic distortion

0.4% (with Sony Type I, 160 nWb/m, 315 Hz, 3rd H.D.)  
1.5% (with Sony Type IV, 250 nWb/m, 315 Hz, 3rd H.D.)

Frequency response (Dolby NR OFF)

Type IV cassette (Sony Metal-Select/S)	20-21,000 Hz (± 3dB,IEC) (K679ES) 20-20,000 Hz (± 3dB,IEC) (K690) 20-16,000 Hz [± 3dB (-4dB recording)]
Type II cassette (Sony UX-S)	20-19,000Hz (± 3dB,IEC) (K679ES) 20-18,000 Hz (± 3dB,IEC) (K690)
Type I cassette (Sony HF-S)	20-17,000Hz (± 3 dB,IEC)

Wow and flutter  
±0.09% W.Peak (IEC)  
0.05% W.RMS (NAB)  
±0.14% W.Peak (DIN)

Model Name Using Similar Mecanism	TC-K677ES/K670	
Tape Transport	TC-K679ES	TCM-200V9
Mechanism Type	TC-K690	TCM-200V10

### Inputs

Line inputs (phono jacks)	Sensitivity	0.16 V
	Input impedance	47 kilohms

### Outputs

Line outputs (phono jacks)	Rated output level	0.5 V at a load impedance of 47 kilohms
	Load impedance	Over 10 kilohms
Headphones (stereo phone jack)	Output level	0 — 3 mW at a load impedance of 32 ohms

### General

Power requirements 120V AC, 60Hz : K679ES (US,Canadian) K690 (US)  
240V AC, 50Hz : K679ES (UK)  
220 - 230V AC, : K690 (AEP, Germany)  
(or 240V AC adjustable by Sony personnel), 50/60Hz.

Power consumption 19 W

Dimensions Approx. 430 × 123 × 300 mm (w/h/d)  
(17 × 4<sup>7</sup>/<sub>8</sub> × 11<sup>7</sup>/<sub>8</sub> inches)  
including projecting parts and controls

Weight Approx. 4.9 kg (10 lbs 13 oz)

### Supplied accessories

Audio connecting cords (2)

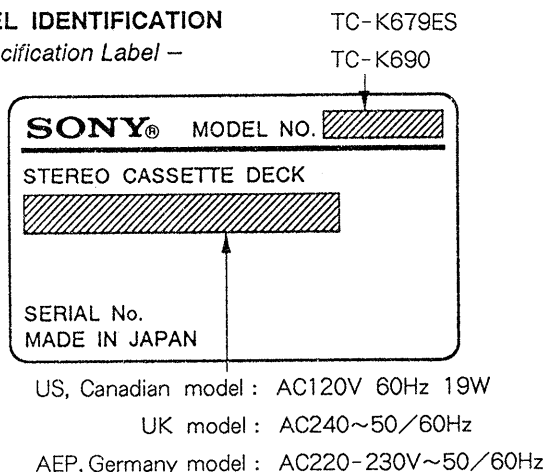
Design and specifications are subject to change without notice.

STEREO CASSETTE DECK  
**SONY**®

TABLE OF CONTENTS

<u>Section</u>	<u>Title</u>	<u>Page</u>
1. GENERAL .....		3
2. DISASSEMBLY .....		4
3. PIN DESCRIPTION .....		7
4. ADJUSTMENTS		
4-1. Mechanical Adjustments .....		8
4-2. Electrical Adjustment .....		11
5. DIAGRAMS		
5-1. Circuit Boards Location .....		15
5-2. IC Block Diagram .....		15
5-3. Printed Wiring Boards .....		17
5-4. Schematic Diagram .....		21
5-5. Semiconductor Lead Layouts .....		26
6. EXPLODED VIEWS		
6-1. Chassis Section .....		27
6-2. Front Panel Section .....		28
6-3. Mechanism Section 1 .....		29
6-4. Mechanism Section 2 .....		30
7. ELECTRICAL PARTS LIST .....		31

MODEL IDENTIFICATION  
- Specification Label -



SAFETY-RELATED COMPONENT WARNING!!

COMPONENTS IDENTIFIED BY MARK OR DOTTED LINE WITH MARK ON THE SCHEMATIC DIAGRAMS AND IN THE PARTS LIST ARE CRITICAL TO SAFE OPERATION. REPLACE THESE COMPONENTS WITH SONY PARTS WHOSE PART NUMBERS APPEAR AS SHOWN IN THIS MANUAL OR IN SUPPLEMENTS PUBLISHED BY SONY.

SAFETY CHECK-OUT

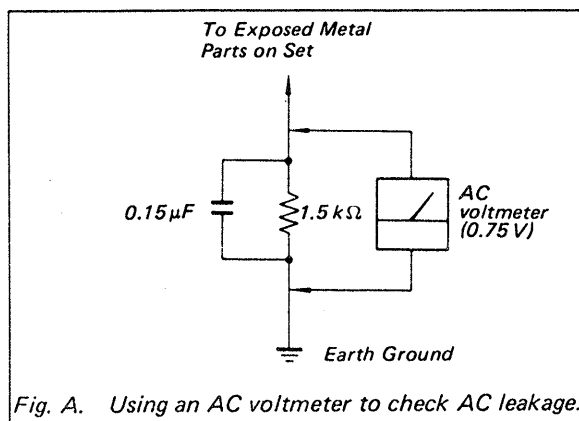
After correcting the original service problem, perform the following safety check before releasing the set to the customer:

Check the antenna terminals, metal trim, "metallized" knobs, screws, and all other exposed metal parts for AC leakage. Check leakage as described below.

LEAKAGE TEST

The AC leakage from any exposed metal part to earth ground and from all exposed metal parts to any exposed metal part having a return to chassis, must not exceed 0.5 mA (500 microampers). Leakage current can be measured by any one of three methods.

1. A commercial leakage tester, such as the Simpson 229 or RCA WT-540A. Follow the manufacturers' instructions to use these instruments.
2. A battery-operated AC milliammeter. The Data Precision 245 digital multimeter is suitable for this job.
3. Measuring the voltage drop across a resistor by means of a VOM or battery-operated AC voltmeter. The "limit" indication is 0.75 V, so analog meters must have an accurate low-voltage scale. The Simpson 250 and Sanwa SH-63Trd are examples of a passive VOM that is suitable. Nearly all battery operated digital multimeters that have a 2V AC range are suitable. (See Fig. A)



ATTENTION AU COMPOSANT AYANT RAPPORT  
À LA SÉCURITÉ!

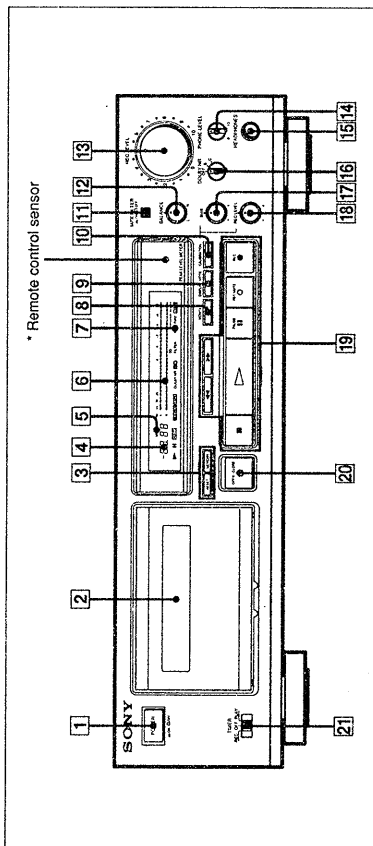
LES COMPOSANTS IDENTIFIÉS PAR UNE MARQUE SUR LES DIAGRAMMES SCHÉMATIQUES ET LA LISTE DES PIÈCES SONT CRITIQUES POUR LA SÉCURITÉ DE FONCTIONNEMENT. NE REMPLACER CES COMPOSANTS QUE PAR DES PIÈCES SONY DONT LES NUMÉROS SONT DONNÉS DANS CE MANUEL OU DANS LES SUPPLÉMENTS PUBLIÉS PAR SONY.

This section is extracted from instruction manual.

# SECTION 1 GENERAL

## Hooking Up the System

### Front Panel



\* Remote control sensor

For details, refer to the page number indicated in parenthesis.

- 1 POWER switch
- 2 Cassette holder
- 3 Counter buttons
- 4 RESET button (page 10)
- 5 MEMORY button (pages 9 and 10)
- 6 LINEAR COUNTER (page 10)
- 7 MEMORY indicator
- 8 PEAK LEVEL METER (page 12)
- 9 TAPE TYPE indicator
- 10 MONITOR button (page 13)
- 11 DISPLAY MODE button (page 14)
- 12 CALIBRATION button (page 14)
- 13 MPX FILTER button (page 11)
- 14 BALANCE control (page 11)
- 15 REC (recording) LEVEL control (pages 11 and 13)
- 16 PHONE (headphones) LEVEL control (page 7)
- 17 HEADPHONES jack (stereo phone jack) (page 7)
- 18 DOLBY NR (noise reduction) switch (pages 7 and 11)
- 19 BIAS control (pages 14 and 15)
- 20 REC (recording) LEVEL control for calibration (pages 14 and 15)
- 21 TIMER switch (page 16)

- 19 Tape operation buttons
  - ◀ (rewind) button
  - ▶ (fast-forward) button
  - (stop) button
  - ⏸ PAUSE button
  - ⏪ REC MUTE (record muling) button (page 16)
  - ⏩ REC (recording) button
  - ⏹ OPEN/CLOSE button
  - ⏰ TIMER switch (page 16)

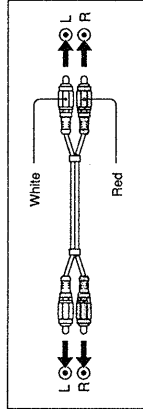
\* Remote control sensor

- You can remotely control this cassette deck with:
  - A remote commander that came with a Sony amplifier or receiver if it has the mark and cassette deck control capability.
  - An optional Sony remote commander with the mark and cassette deck control capability.

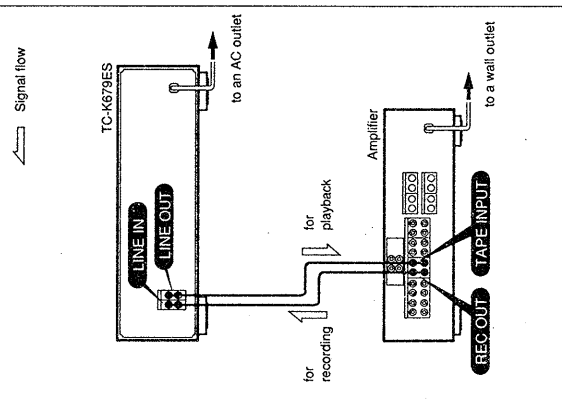
### Identifying the Parts

### Before You Begin

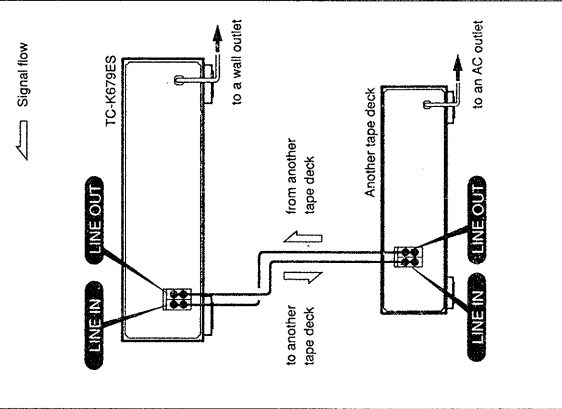
- Turn off the power to all equipment to be connected before making any connection.
- Note that the red plug of the supplied connecting cord is for right-channel (R) connection and the white plug for left-channel (L) connection.
- The connecting cords should be fully inserted into the jacks. A loose connection may cause hum pickup.



### Hook-up Example



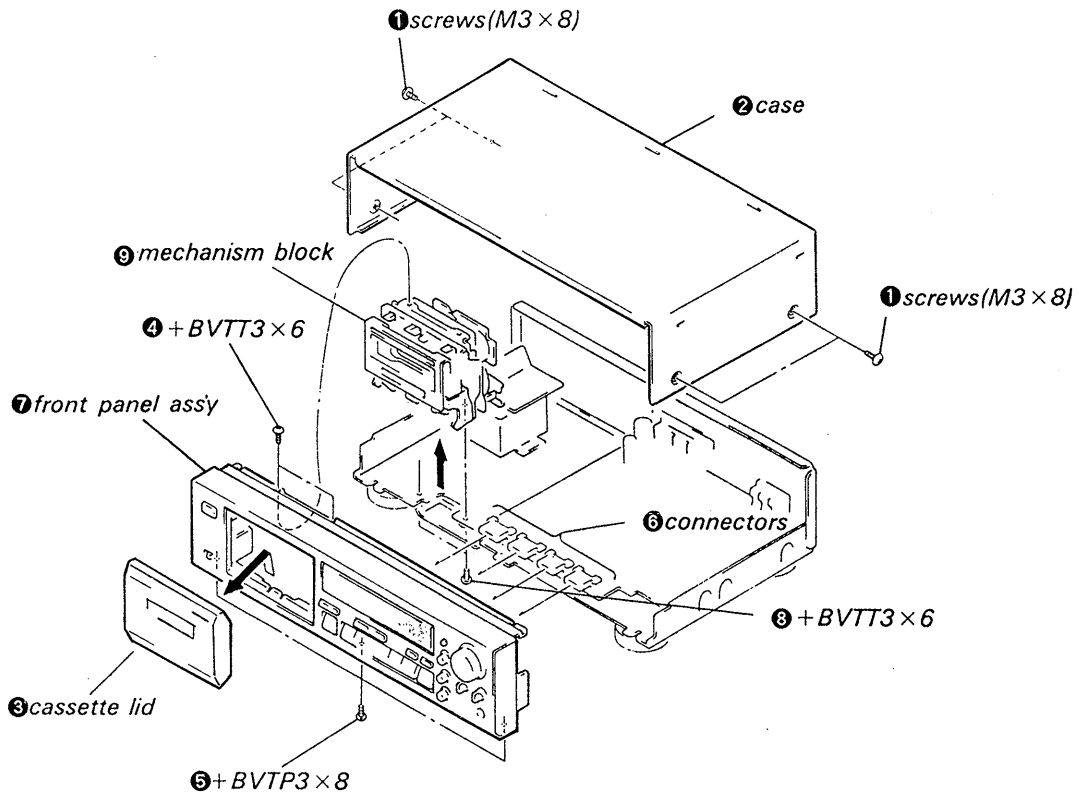
### Hook-up for Tape Dubbing



## SECTION 2 DISASSEMBLY

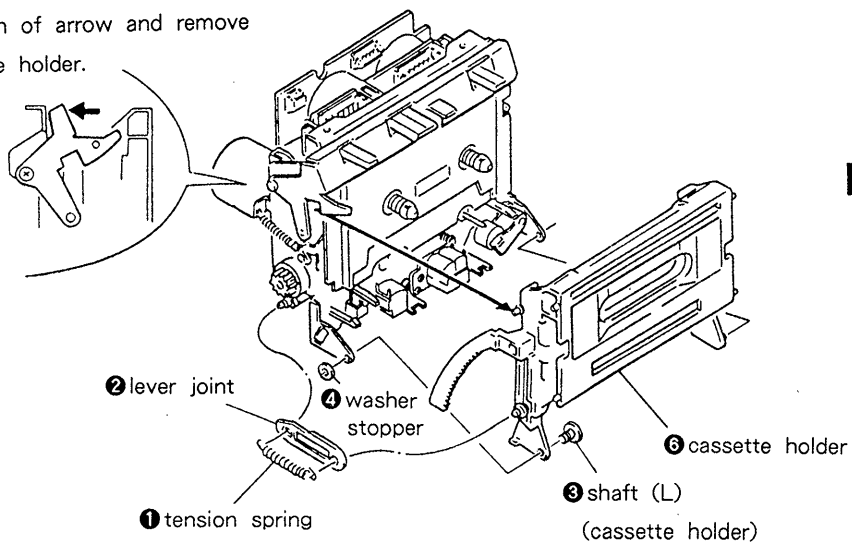
NOTE: Follow the disassembly procedure in the numerical order given.

### MECHANISM BLOCK



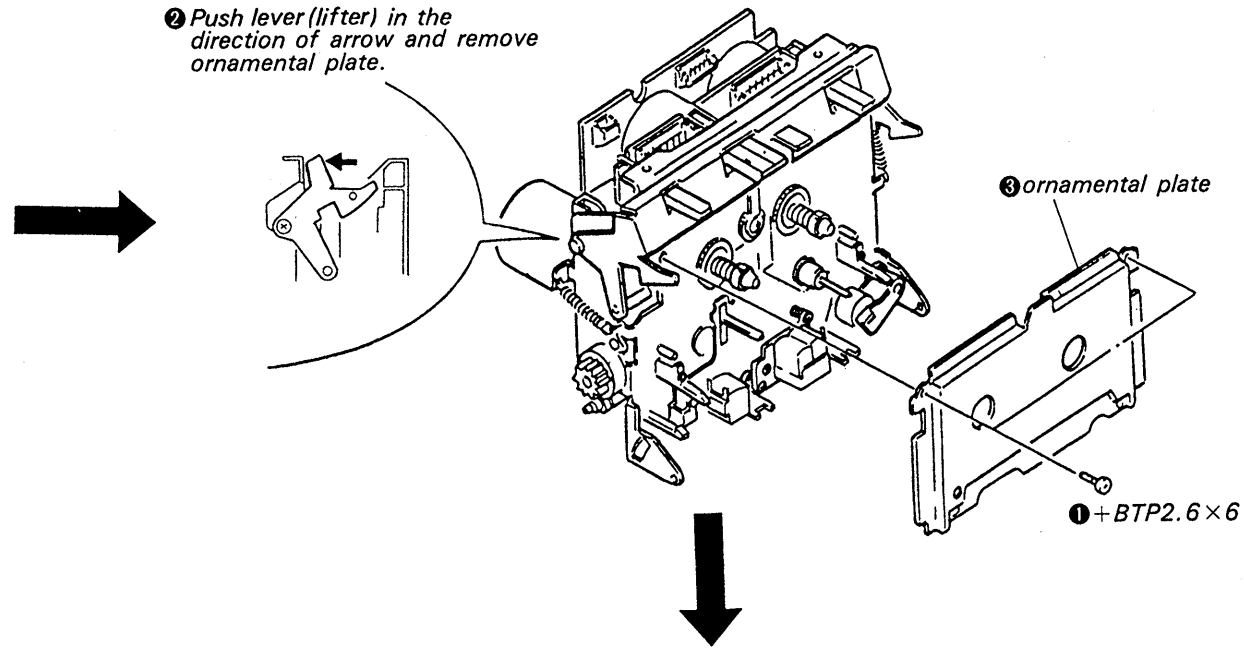
### CASSETTE HOLDER

⑤ Push lever (lifter) in the direction of arrow and remove cassette holder.

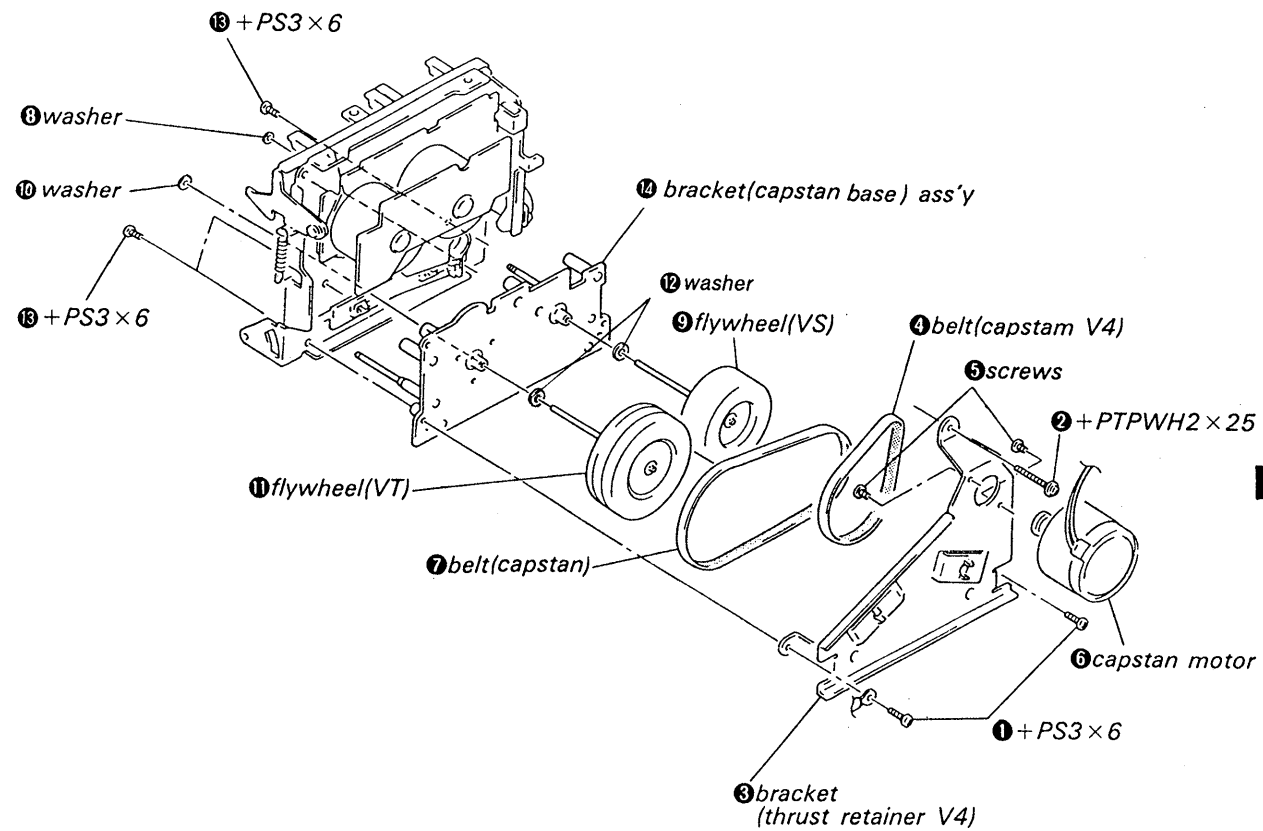


**ORNAMENTAL PLATE**

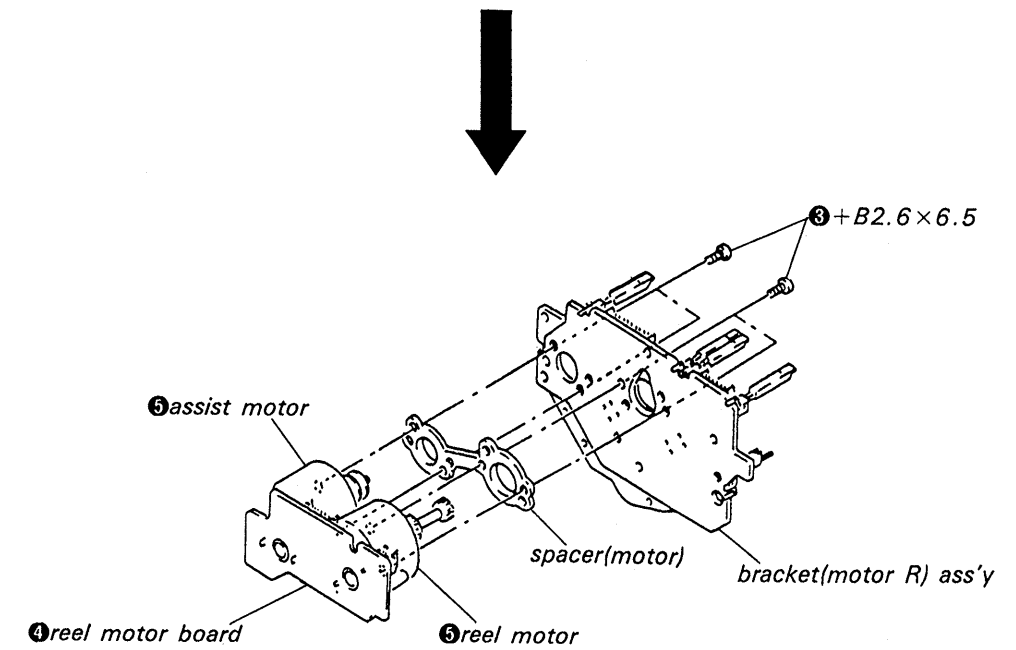
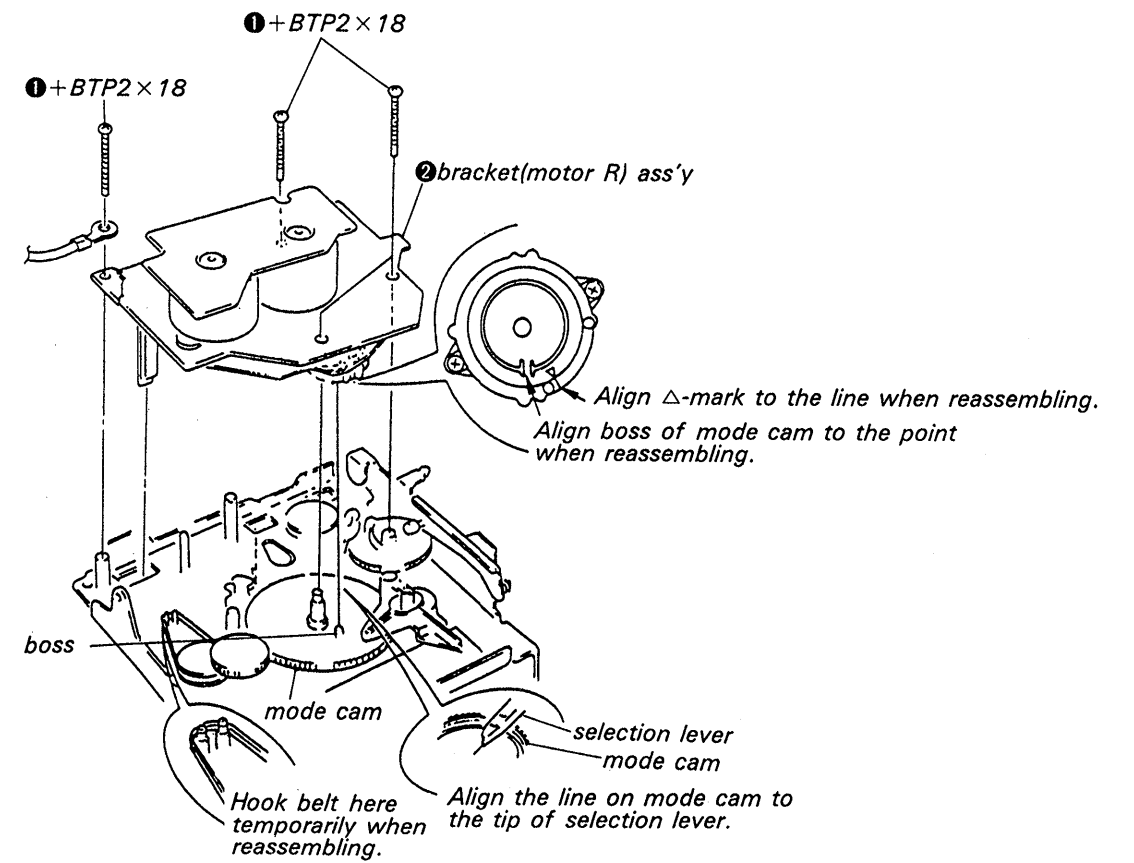
② Push lever (lifter) in the direction of arrow and remove ornamental plate.



**CAPSTAN MOTOR / FLYWHEEL**



**REEL AND ASSIST MOTORS**



## SECTION 3

### PIN DESCRIPTION

#### ·IC701 M50941-728SP(MICRO COMPUTER)

The M50941-728SP function are described below.

Pin No.	Pin Name	I/O	Description
1	V <sub>REF</sub>	I	Internal A/D port reference voltage input.
2	KEY 7	I	Key input port. 0V = OPEN/CLOSE, 1V = STOP, 2V = REW, 3V = FF, 4V = REC.
3	KEY 6	I	key input port. 0V = PLAY, 1V = PAUSE, 2V = REC MUTE.
4	KEY 5	I	Key input port. 0V = RESET, 1V = MEMORY, 2V = DISPLAY MODE, 3V = MONITOR.
5	METER-L	I	Signal input for level meter-L.
6	METER-R	I	Signal input for level meter-R.
7	TIMER	I	Timer REC/PLAY switch input. 0V = TIMER REC, 1V = TIMER PLAY, 2V = OFF.
8	T.PULSE	I	Take-up reel base sensor input.
9	S.PULSE	I	Supply reel base sensor input.
10	AMS.SIG	I	AMS signal input. No song detected = Low. Song detected = High.
11	BIAS	O	Bias oscillation on and off control.
12	MO3V	O	Motor speed control. STOP/PLAY = Low, FF/REW = High.
13	MO4.5V	O	Motor speed control. STOP/PLAY = High, FF/REW = Low.
14	MO-FWD	O	Reel motor rotates.
15	MO-REV	O	Reel motor rotates in reverse.
16	MO-DOWN	O	Head base DOWN output of the mechanical block.
17	MO-UP	O	Head base UP output of the mechanical block.
18	HALF-SW	I	HALF switch input of the mechanical block.
19	REC-SW	I	REC switch input of the mechanical block.
20	DOOR-SW	I	DOOR switch input of the mechanical block.
21	CLOSE-SW	I	CLOSE switch input of the mechanical block.
22	OPEN-SW	I	OPEN switch input of the mechanical block.
23	POWER-OUT	O	"Low" for power off procedure after POWER switch is turned off.
24	POWER-IN	I	Power(AC) off detection.
25	SIRCS	I	Remote control signal input.
26	V <sub>SS</sub>	-	GND
27	RESET	I	System reset input.
28	XI	I	Clock input(4.19MHz).
29	XO	O	Clock output.
30	XCI	-	Not used.
31	XCO	-	Not used.
32	V <sub>SS</sub>	-	GND
33	-	-	Not used.
34	PAT3	I	Rotary encoder input to detect the position of the head base of the mechanical block.
35	3	I	
37	PAT0	I	
38	-25V	-	Power supply for driving the fluorescent indicator tube.
39	FL-p	O	Segment data output for the fluorescent indicator tube FL751.
40	4	I	
54	FL-a	O	Common data output for the fluorescent indicator tube FL751.
55	FL-G5	O	
56	5	I	
59	FL-G1	O	
60	MONITOR	O	Source monitor control. Low = TAPE, High = SOURCE.
61	REC-MUTE	O	REC MUTE control. Low = MUTE.
62	LINE-MUTE	O	LINE MUTE control. Low = MUTE.
63	AV <sub>CC</sub>	-	Analog power supply(+5V).
64	V <sub>CC</sub>	-	Power supply(+5V).

## SECTION 4 ADJUSTMENTS

### 4-1. MECHANICAL ADJUSTMENTS

#### PRECAUTION

1. Clean the following parts with a denatured-alcohol-moistened swab:
 

record/playback head	pinch roller
erase head	rubber belts
capstan	idler
2. Demagnetize the record/playback head with a head demagnetizer.
3. Do not use a magnetized screwdriver for the adjustments.
4. After the adjustments, apply suitable locking compound to the parts adjusted.

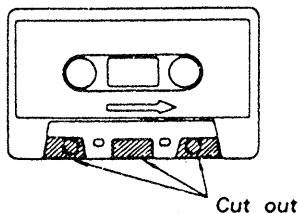
#### Tape Path Adjustment

**Note :** When using the adjustment methods for other than replacement reasons, please do not tamper unnecessarily with the adjustment screws or the erasehead because either the supply pinch roller guide or the record/playback head will be made the standard tape paths. Moreover, when it is necessary to adjust and replace two or more of any of the heads and/or pinch rollers, replace them one by one, completely taking out the first tape path, and then replacing the second one.

#### Preparation :

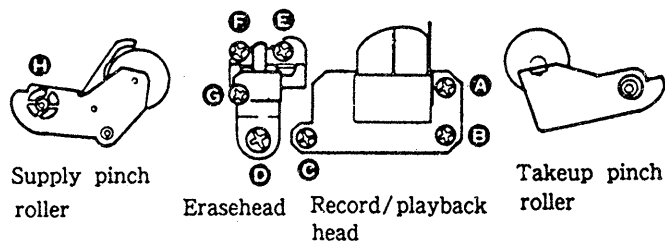
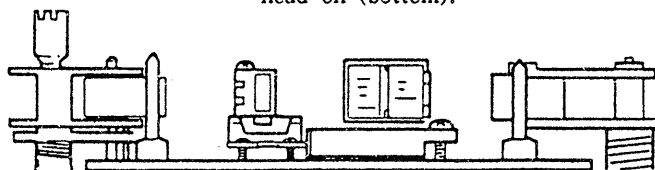
1. Mirror cassette CQ009C 8-909-708-01  
(or CQ012C 8-909-708-02)

If one does not have this, cut out the sections of a 120-minute cassette shell as indicated below and use that cassette.

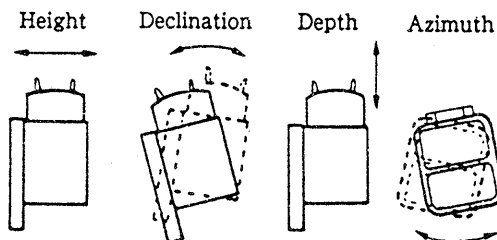


2. Phillips screwdriver (medium-size) :  
For the head adjustment screws  
Blade-type screwdriver (large-size) :  
For the supply pinch roller adjustment screws
3. Pen light
4. WS-48B (3 kHz, 0 dB)
5. P-4-A100 (10 kHz, -10 dB)

**Adjustment Position :** As seen from the cassette, side (top) and MD as seen head on (bottom).



**Definition of Terms :** The figures are of a record/playback head.



**Adjustment Method :**

**Supply Pinch Roller**

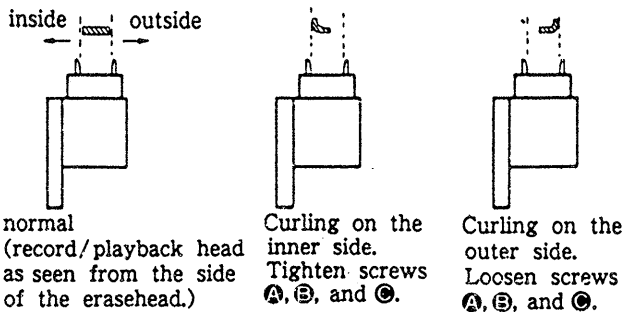
**Note :** Only perform this adjustment when the supply pinch roller is to be replaced.

1. Insert the mirror cassette and put the unit in record/playback mode.
2. Check to see whether the tape is curling at the record/playback head guide or the pinch roller guide.  
If it is curling, remove the curl by adjusting the  $\text{Ⓜ}$  tape curl adjustment screw. Then, check that the tape is running past the middle of the erasehead.

**Record/playback Head**

**Note :** Only perform this adjustment when the record /playback head is to be replaced.

1. Insert the mirror cassette and put the unit in record/playback mode.
2. **(Height Adjustment)** Check to see if the tape is curling at the tape guide of the head. If it is curling, tighten screws  $\text{Ⓐ}$ ,  $\text{Ⓜ}$ , and  $\text{Ⓢ}$ , respectively by the same angle, moving the head so that it remains at the same angle throughout the procedure. If it curls on the bottom side of the mirror cassette (actually the inner side), tighten all the screws equally ; but loosen them if the tape begins to curl on the top side (outer side).

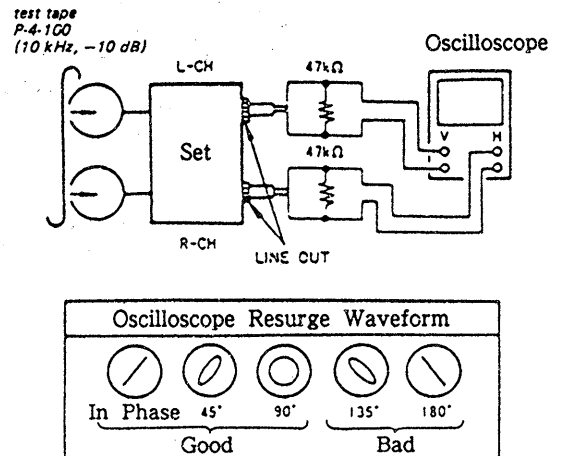


3. **(Declination Adjustment)** While in the record / playback position, set the back tension to 0 (wind the supply reel with something thin like a pencil in a counterclockwise direction) and make sure there is no curling or shifting (shifting up / shifting down) at the guide of the record / playback head.

Because shifting can only occur due to a difference in the width of the tape and that of the tape guides (curling will otherwise occur), it is necessary to pay close attention since it can be easily overlooked.

When there is a shift, tighten screws  $\text{Ⓜ}$  and  $\text{Ⓢ}$  equally and change the declination of the head. If the tape is shifting up, tighten the screws, and if it is shifting down, loosen them.

4. Repeat the adjustments in steps 2 and 3 and fine adjust the height and the declination.
5. **(Preliminary Azimuth Adjustment)**  
After demagnetizing and cleaning the adjustment head, play back WS-48B (3 kHz, 0 dB). Turn screw  $\text{Ⓢ}$  so that the reading on the level meter of the unit or that of the level meter connected to LINE OUT is maximized. If the screw is turned at least half a revolution, repeat the adjustments from step 1.
6. **(Tape Path Check)** Connect the oscilloscope to LINE OUT and play back P-4-A100 (10 kHz, -10 dB) to display a resurge waveform. After 20 seconds of record / playback (after the tension within the loop has been increased sufficiently), make sure the variation in the resurge is within  $\pm 90$  degrees (within  $\pm 45$  degrees is desired). If the variation is greater than this, it is because the declination and/or the height adjustment is not perfect. Repeat the adjustments from step 1.

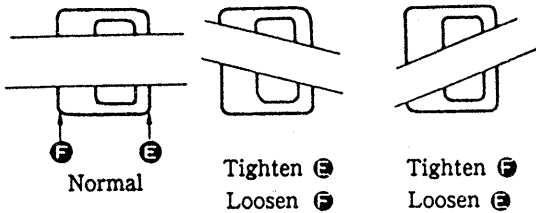




## Erasehead

**Note:** Only perform this adjustment when the erasehead is to be replaced.

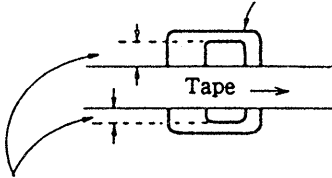
1. Insert the mirror cassette and put the unit in record/playback mode.
2. (**Azimuth Adjustment**) Adjust the azimuth of the erasehead by adjusting screws  $\text{Ⓐ}$  and  $\text{Ⓒ}$  so that the tape runs as evenly as possible.



(The erasehead as seen when erasing the mirror cassette.)

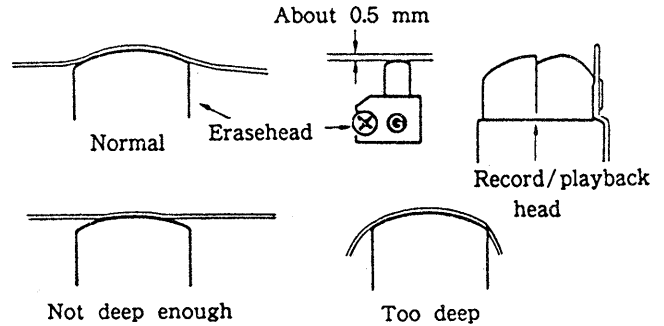
3. (**Height adjustment**) Turn screws  $\text{Ⓐ}$ ,  $\text{Ⓑ}$ , and  $\text{Ⓒ}$  all by the same angle so that the portions of the erasehead visible at top and bottom are nearly of equal width. If the width at the top is greater, tighten the screws; if the width at the bottom is greater, loosen the screws.

Erasehead (The erasehead as seen through the mirror cassette.)



Make these the same width.

4. (**Declination Adjustment**) Leaving it in the playback position, put the back tension to 0 and make certain the erasehead part and supply pinch roller guide part do not shift. If there is a shift, turn the screw  $\text{Ⓓ}$  and change the declination. Looking at it using the mirror cassette, if the tape shifts up, tighten the screw, and if it shifts down, loosen the screw.
5. Repeat the adjustments beginning with step 2 and fine adjust the height and declination. And make sure the tape does not curl up on the pinch roller guide or the guide part of the record/playback head.
6. (**Depth Adjustment**) In order to make the entire head play the tape smoothly, and to make sure the depth of the erasehead is neither too shallow nor too deep, loosen screw  $\text{Ⓒ}$  a bit.



## Check

1. Check to make sure that there are no curls or shifts throughout the whole tape path and that the tape runs smoothly.
2. Reapply the locking compound to the adjusted screws. (The locking compound should only be applied to screw  $\text{Ⓒ}$  after the azimuth has been adjusted.)

## TORQUE MEASUREMENT

Torque	Torque meter	Meter reading
FWD	C Q-102C	28-60 g · cm (0.39-0.83 oz · inch)
FWD Back tension	C Q-102C	7-11 g · cm (0.097-0.15 oz · inch)
FF, REW	C Q-201B	85-90 g · cm (0.9-1.25 oz · inch)

## Pinch Roller Pressing Force Measurement

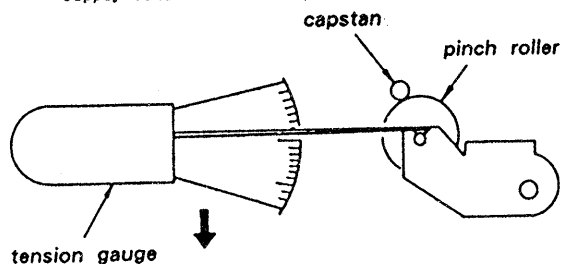
Mode: playback

Hook needle of the tension gauge to the pinch roller shaft and push back pinch roller to detach it from capstan. Then, return it gradually to capstan and read the gauge when the pinch roller begins turning.

### Standard Limits:

Tape-up side: 270-350 g (9.5-120 oz)

Supply side: 180-280 g (6.4-9.9 oz)

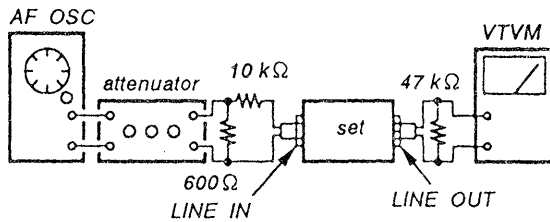


## 4-2. ELECTRICAL ADJUSTMENTS

**Note:** The adjustment should be performed in the order given in the service manual. As a rule, adjustments about playback should be performed before those about recording. The adjustments should be performed before for both L-CH and R-CH.

- Switches and controls should be set as follows unless otherwise specified.
  - DOLBY NR switch: OFF
  - MPX FILTER switch: OFF
  - MONITOR switch: Tape
- Standard Record:
  - Deliver the standard input signal level to the input jack and set the REC LEVEL control to obtain the standard output signal level.

### — Record Mode —



### Standard Input Level

input terminal	LINE IN
source impedance	10 kΩ
input level	0.5V ( - 3.8dB)

### Standard Output Level

output terminal	LINE OUT
load impedance	47 kΩ
output level	0.5V ( - 3.8dB)

### Test Tape

Type	Signal	Used for
P-4-A100	10 kHz, - 10 dB	Azimuth Adjustment
P-4-L300	315 Hz, 0 dB	PB Level Adjustumet
WS-48B	3 kHz, 0 dB	Tape Speed Adjustment

### Test Mode

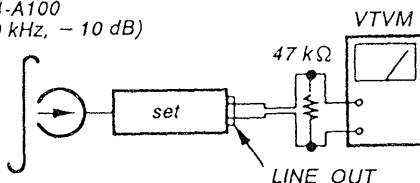
This set will get into test mode by shorting the pins of CNE702 (TEST) on MA I N board before turning the power on.

### Record/Playback Head Azimuth Adjustment

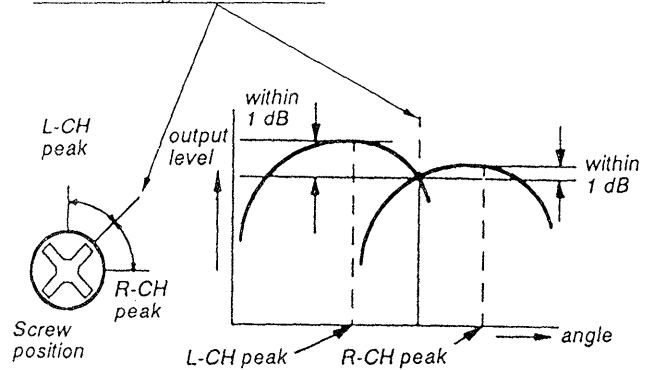
#### Procedure:

- Mode: FWD playback

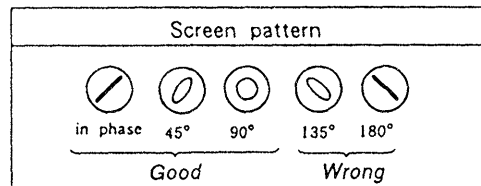
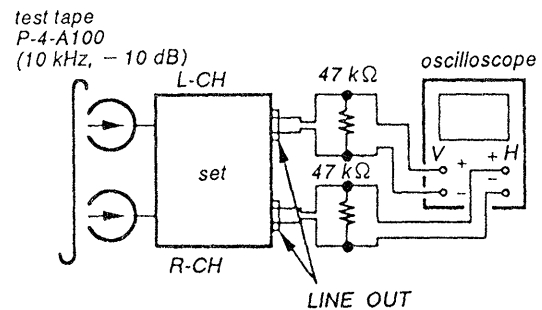
Test tape  
P-4-A100  
(10 kHz, - 10 dB)



- Turn the adjustment screw for the maximum output levels. If these levels do not match, turn the adjustment screw until both of output levels match together within 1 dB.

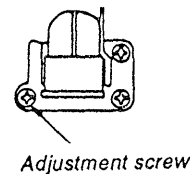


- Phase Check  
Mode: playback



- After the adjustment, lock the screws with locking compound.

Adjustment Location: Record/Playback head





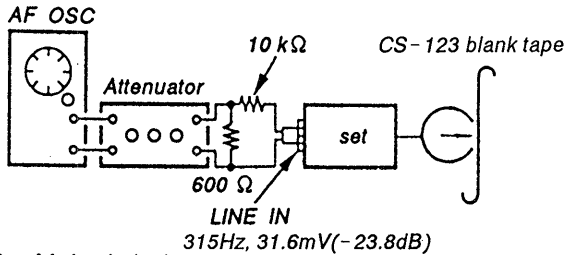
## Record Level Adjustment

### Setting:

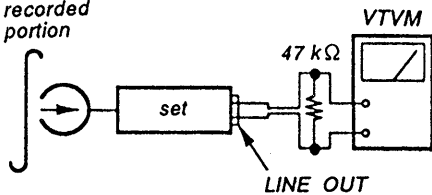
REC LEVEL control: Standard Record (see page 11)  
test pin CNE702 : short

### Procedure:

1. Mode: record



2. Mode: playback  
recorded portion



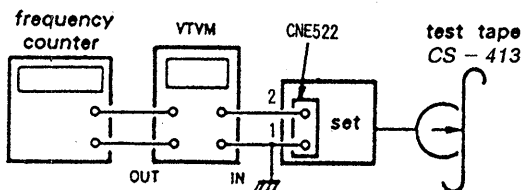
3. Playback the signal recorded in step 1.  
Confirm that the signal level is within the adjustment limits below. If necessary, adjust RV141 (L-ch) and RV241 (R-ch) repeat the step 1 - 2.

**Adjustment Limits:**  $-23.8\text{dB} \pm 0.5\text{dB}$  (29 to 33.4mV)

**Adjustment Location:** MAIN board

## Erase Current Adjustment

1. Mode : record



2. Adjust RV504 so that the reading on VTVM is 110mV (erase current=110mA.)
3. And then confirm that the reading on the frequency counter is 160kHz.

### Adjustment Limits:

Erase current: 105mA to 110mA

Frequency:  $160 \pm 6\text{kHz}$

**Adjustment Location:** MAIN board

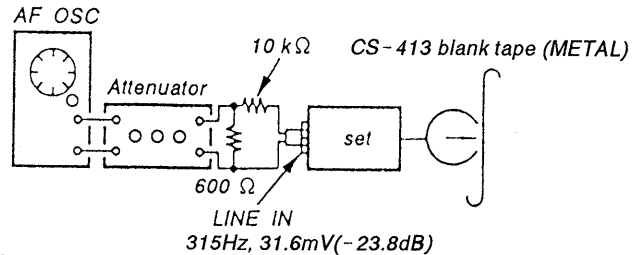
## Record EQ (IV) Adjustment

### Setting:

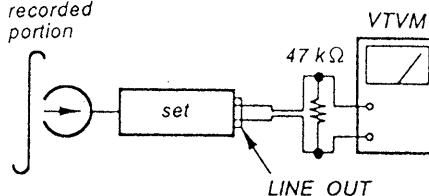
REC LEVEL control: Standard Record (See page 11)  
test pin CNE702 : short

### Procedure:

1. Mode: record



2. Mode: playback  
recorded portion



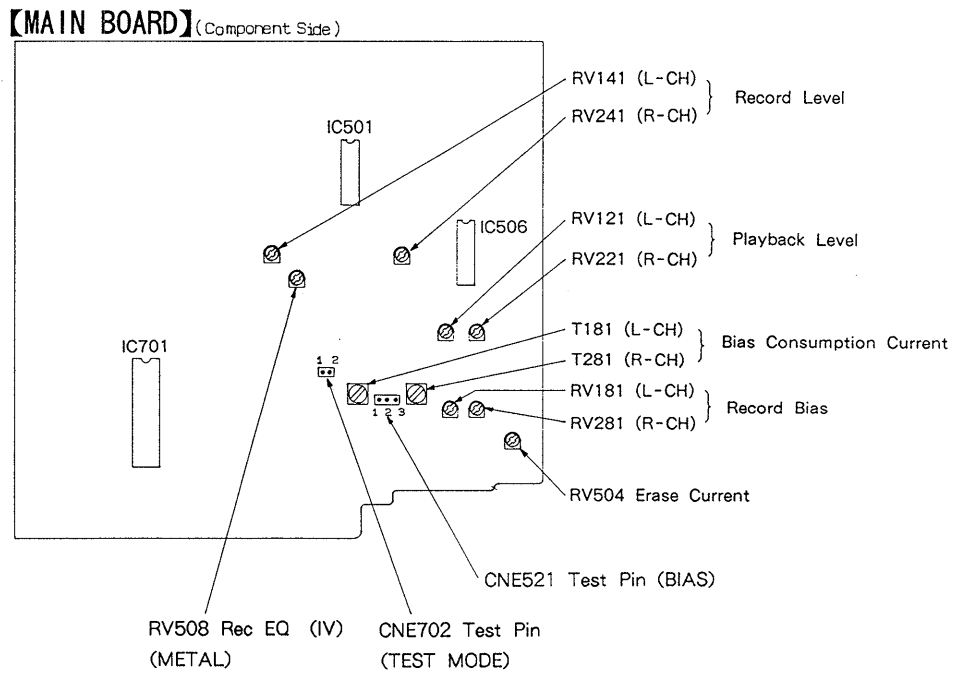
3. Playback the signal recorded in step 1.  
Adjust RV508 so that the R - channel meet the specification.

### Adjustment Limits:

1. 10KHz level difference against 315Hz reference.  
 $0\text{dB} \pm 0.3\text{dB}$

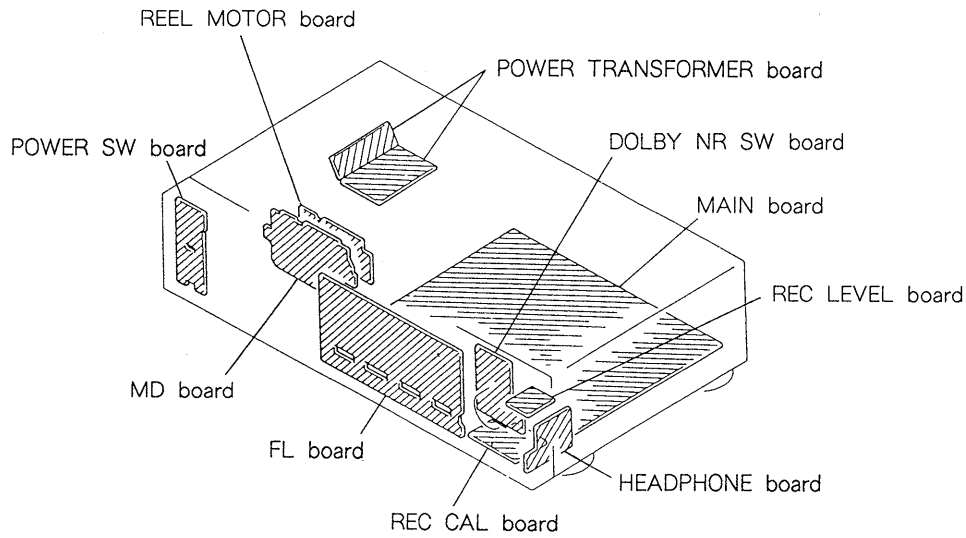
**Adjustment Location:** MAIN board

# Adjustment Location



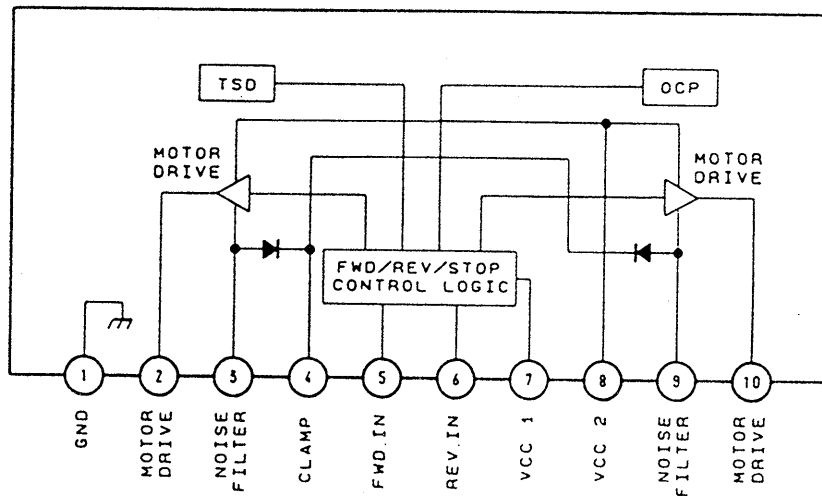
## SECTION 5 DIAGRAMS

### 5-1. CIRCUIT BOARDS LOCATION



### 5-2. IC BLOCK DIAGRAM

- IC703 BA6219B
- IC704 LB1641



Semiconductor Location

Ref. No.	Location	Ref. No.	Location	Ref. No.	Location	Ref. No.	Location
D101	D-3	D752	B-17	IC751	B-14	Q708	C-9
D102	E-3	D801	B-4	IC801	C-3	Q709	A-10
D201	E-3	D802	B-4	IC1001	C-23	Q710	C-7
D202	E-3	D803	B-4	IC1002	C-24	Q711	B-10
D501	G-3	D804	B-4			Q712	C-7
D502	F-7	D805	C-3	Q101	I-3	Q713	C-8
D503	F-7	D806	D-3	Q102	G-6	Q714	A-10
D504	F-3	D807	B-5	Q103	I-7	Q715	D-11
D505	F-3	D812	B-5	Q201	H-3	Q716	D-11
D506	F-7	D813	B-5	Q202	H-6	Q717	B-7
D507	F-7	D814	C-5	Q203	J-7	Q718	B-7
D508	F-7	D815	B-5	Q501	F-3	Q719	C-10
D509	J-10	D816	B-3	Q502	F-3	Q720	D-10
D510	G-10	D817	B-3	Q503	G-3	Q721	D-10
D511	I-10	D818	C-5	Q504	I-4	Q722	D-10
D512	D-6	D819	D-5	Q505	D-6	Q723	E-10
D513	E-6	D820	B-5	Q506	J-10	Q724	E-10
D514	E-6	D822	B-5	Q507	J-9	Q725	E-9
D515	E-6	D823	B-4	Q508	G-10	Q726	E-10
D516	F-10	D1051	C-29	Q509	G-11	Q727	D-9
D701	E-8			Q510	G-11	Q729	E-10
D702	E-8	IC501	G-4	Q511	G-10	Q801	C-3
D703	B-7	IC502	I-4	Q512	G-9	Q802	C-3
D704	B-7	IC503	H-7	Q513	F-6	Q803	C-2
D705	A-7	IC504	H-9	Q514	F-6	Q804	D-2
D706	C-8	IC505	J-8	Q515	F-6	Q805	D-5
D707	C-8	IC506	J-6	Q516	F-6	Q806	D-5
D708	D-7	IC507	I-19	Q517	F-11	Q807	B-3
D709	D-7	IC508	D-6	Q701	E-8	Q808	B-2
D712	E-9	IC509	E-3	Q702	D-9	Q809	B-3
D713	E-10	IC510	G-3	Q703	D-8	Q810	C-4
D714	D-10	IC701	B-10	Q704	E-8	Q811	D-4
D715	D-10	IC702	E-9	Q705	B-6		
D718	D-10	IC703	B-6	Q706	B-6		
D751	B-17	IC704	A-6	Q707	C-9		

Note on Schematic Diagram :

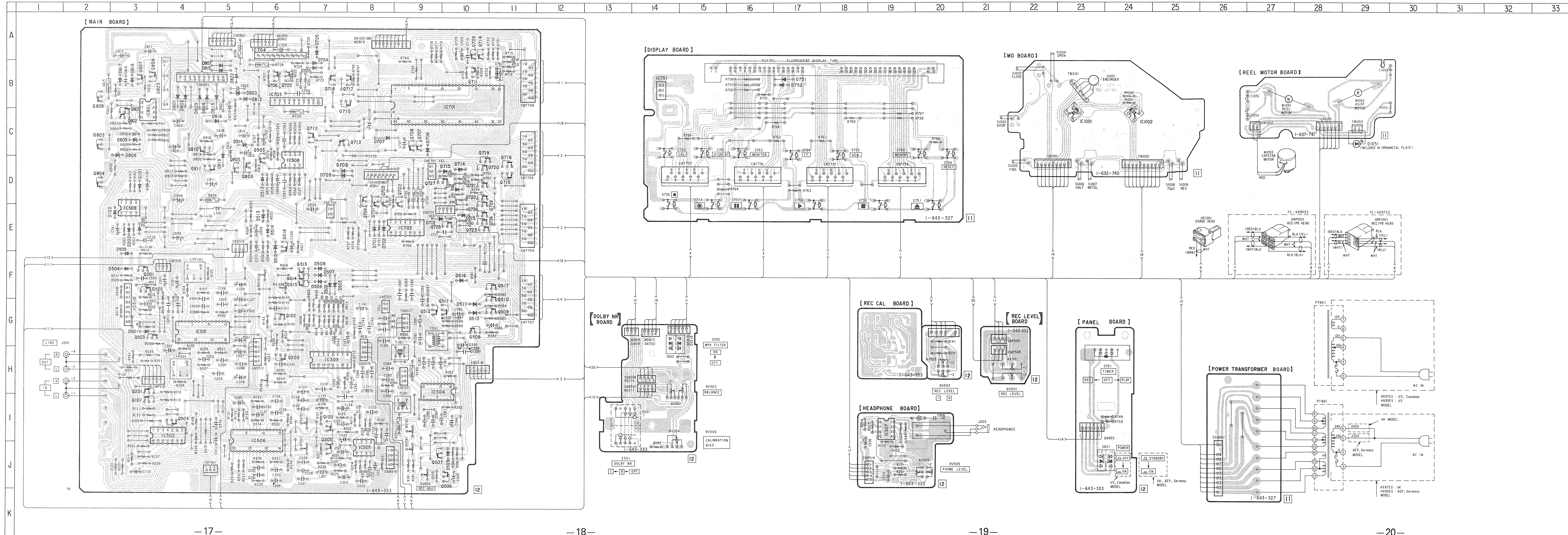
- All capacitors are in  $\mu\text{F}$  unless otherwise noted. pF:  $\mu\text{F}$  50WV or less are not indicated except for electrolytics and tantalums. ( ) : TC-K679ES
- All resistors are in  $\Omega$  and  $\text{W}$  or less unless otherwise specified. ( ) : TC-K679ES
- $\text{---}$  : fusible resistor.

Note: The components identified by mark  $\Delta$  or dotted line with mark  $\Delta$  are critical for safety. Replace only with part number specified.

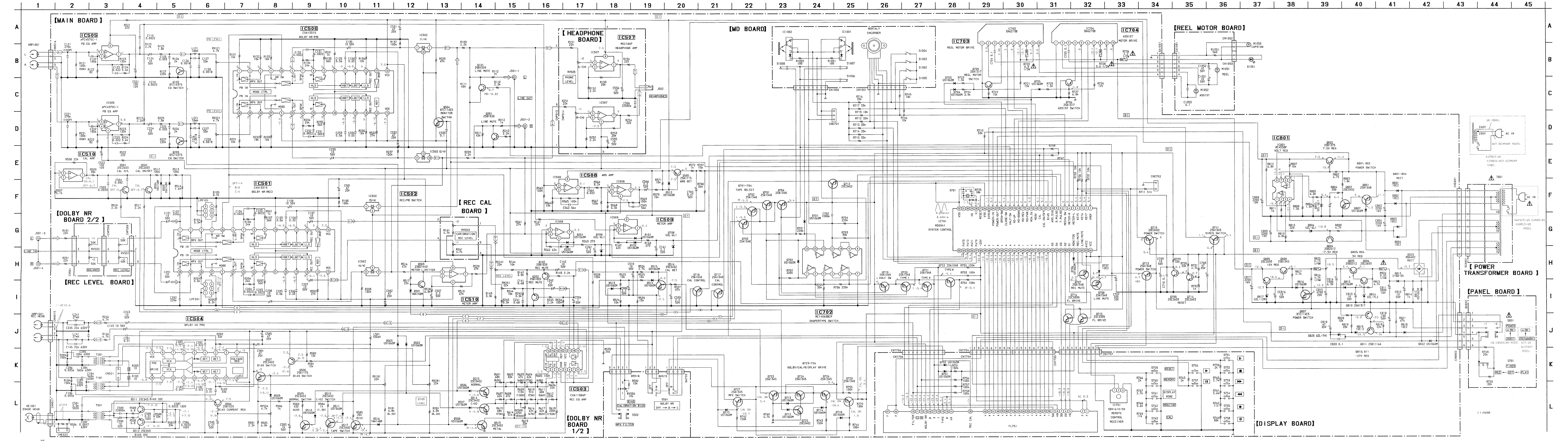
Note: Les composants identifiés par une marque  $\Delta$  sont critiques pour la sécurité. Ne les remplacer que par une pièce portant le numéro spécifié.

- $\text{---}$  : B + Line
- $\text{---}$  : B - Line
- $\text{---}$  : adjustment for repair.
- Voltage and waveforms are dc with respect to ground under no-signal conditions. no mark : PB ( ) : REC
- Voltages are taken with a VOM (input impedance 10 M $\Omega$ ). Voltage variations may be noted due to normal production tolerances.
- Waveforms are taken with an oscilloscope. Voltage variations may be noted due to normal production tolerances.
- Signal path.  $\text{---}$  : PB  $\text{---}$  : REC

- Note on Mounting Diagram :
- $\text{---}$  : Parts extracted from the component side.
  - $\text{---}$  : Parts mounted on the conductor side.



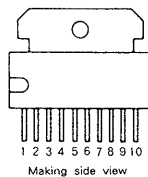
5-4. SCHEMATIC DIAGRAM •See page 15 for IC Block Diagram.



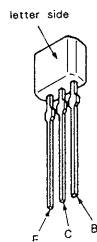


5-5. SEMICONDUCTOR LEAD LAYOUTS

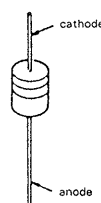
BA6219B  
LB1641



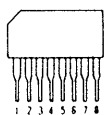
DTC144ES  
2SA1175-HFE



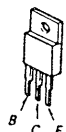
HZS6A1L  
HZS7A1L



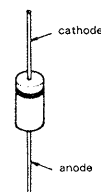
M5218AL



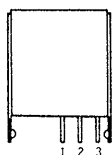
2SB1094-LK  
2SD2012



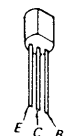
1N4148M  
10E2N  
21DQ05



SBX1610-59



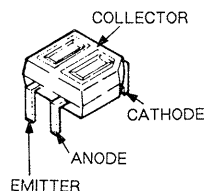
2SB1116A-L  
2SC945-P



DTA114ES  
DTA144ES  
DTC114ES  
DTC143TS  
2SA1317-STU  
2SC2603-EF  
2SD2144S



GP2S22B



NOTE:

- XX, - X mean standardized parts, so they may have some differences from the original one.
- Color Indication of Appearance Parts  
Example :  
KNOB, BALANCE (WHITE)...(RED)  
Parts color      Cabinet's color

- Items marked "\*" are not stocked since they are seldom required for routine service. Some delay should be anticipated when ordering these items.
- The mechanical parts with no reference number in the exploded views are not supplied.
- Hardware (# mark) list is given in the last of this parts list.
- G : Germany model

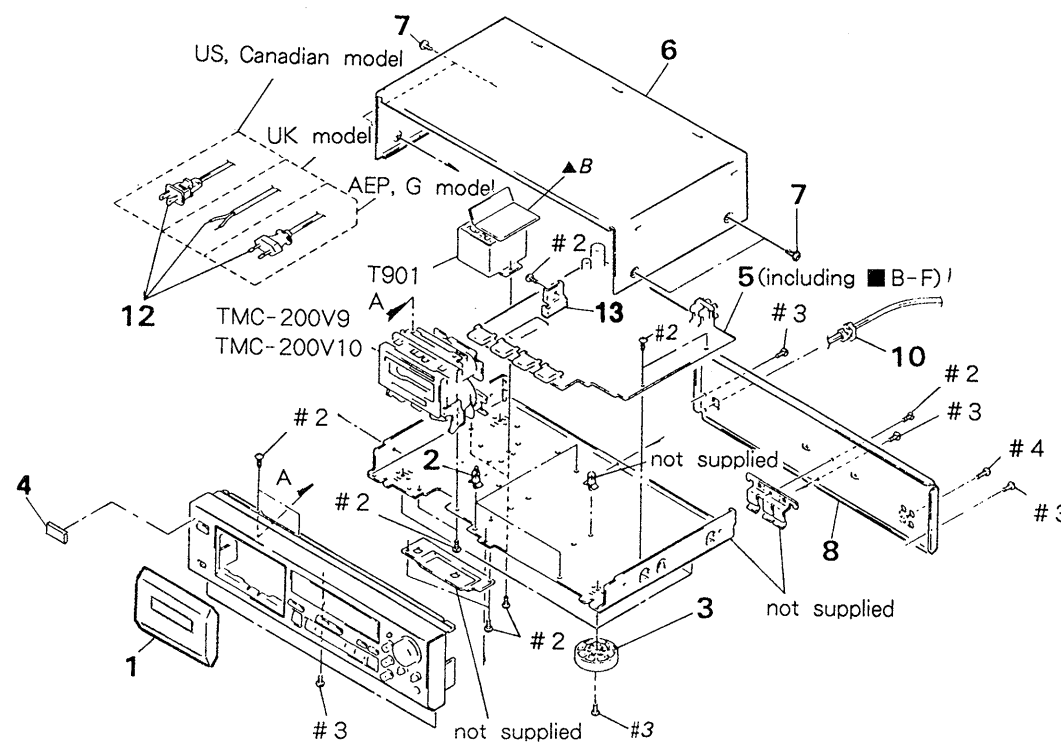
The components identified by mark  $\Delta$  or dotted line with mark  $\Delta$  are critical for safety. Replace only with part number specified.

Les composants identifiés par une marque  $\Delta$  sont critiques pour la sécurité. Ne les remplacer que par une pièce portant le numéro spécifié.

6-1. CHASSIS SECTION

$\blacktriangle$  B : POWER TRANSFORMER board

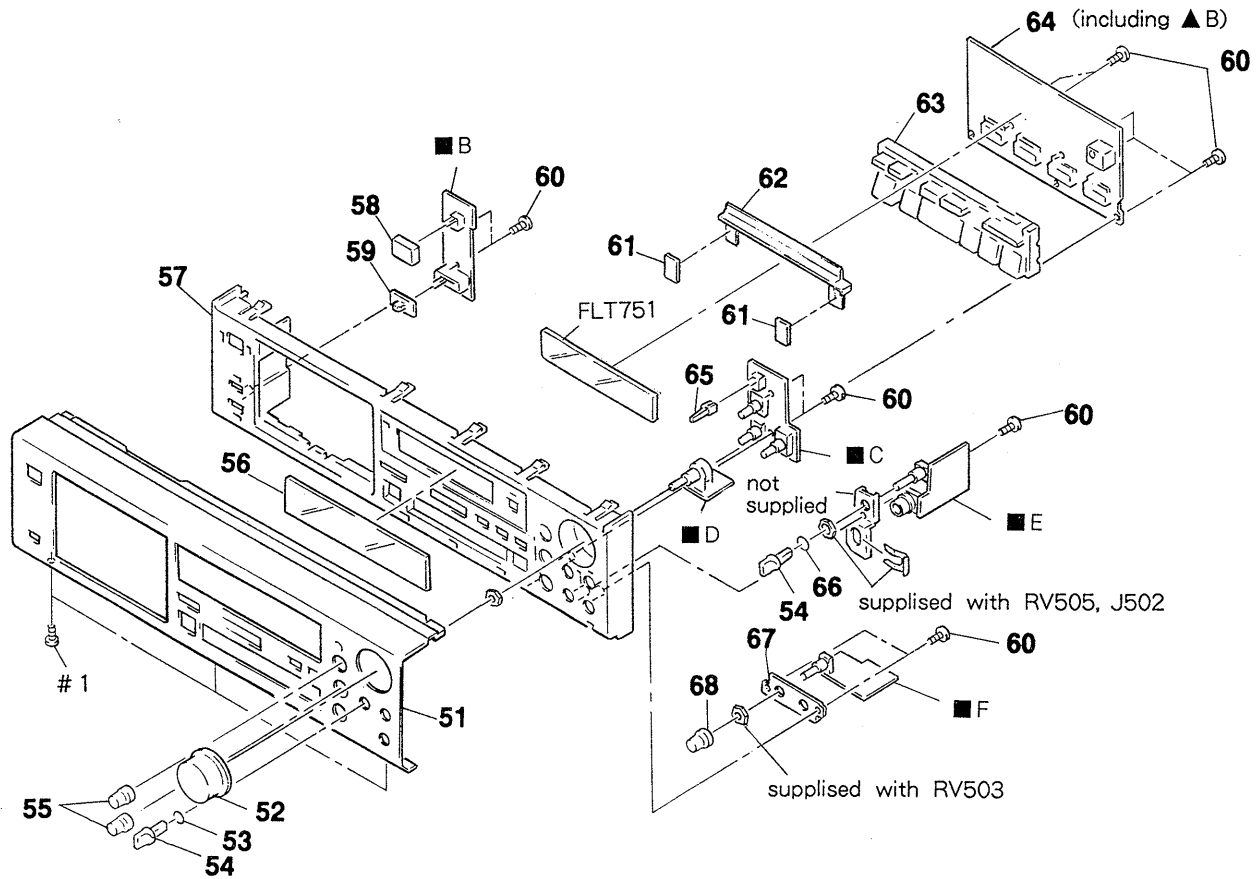
$\blacksquare$  B-F : See next page



Ref. No.	Part No.	Description	Remarks	Ref. No.	Part No.	Description	Remarks
1	X-3363-220-1	LID (A) ASSY, CASSETTE (K690:US)		* 8	3-375-666-21	PANEL, BACK (K690:AEP)	
1	X-3365-066-1	LID ASSY, CASSETTE (K679ES)		* 10	3-703-244-00	BUSHING (2104), CORD (K679ES:UK	
1	X-3365-069-1	LID ASSY, CASSETTE (K690:AEP, Germany)				/K690:AEP, Germany)	
* 2	3-346-265-11	HOLDER, PC BOARD		* 10	3-703-571-11	BUSHING (S) (4516), CORD (K679ES:US,	
3	4-943-148-32	FOOT (F58175SW) (K690:US)				Canadian/K690:US)	
3	4-943-148-42	FOOT (K690:AEP, Germany, K679ES)		$\Delta$ 12	1-555-795-00	CORD, POWER, EULO PLUG (K690:AEP,	
4	4-908-848-01	EMBLEM, SONY				Germany)	
* 5	A-2006-759-A	MAIN BOARD, COMPLETE (K690)		$\Delta$ 12	1-556-035-00	CORD, POWER (K679ES:UK)	
* 5	A-2006-772-A	MAIN BOARD, COMPLETE (K679ES)		$\Delta$ 12	1-558-945-11	CORD, POWER (POLAR. SPT-1) (K679ES:US,	
6	3-332-578-61	CASE				Canadian/K690:US)	
7	3-704-366-01	SCREW (CASE) (M3X8)		* 13	3-356-925-01	HEAT SINK	
* 8	3-375-665-01	PANEL, BACK (K679ES:US, Canadian)		$\Delta$ T901	1-450-100-11	TRANSFORMER, POWER (K679ES:US, Canadian	
* 8	3-375-665-11	PANEL, BACK (K679ES:UK)				/K690:US)	
* 8	3-375-666-01	PANEL, BACK (K690:AEP, Germany)		$\Delta$ T901	1-450-399-11	TRANSFORMER, POWER (K679ES:UK	
* 8	3-375-666-11	PANEL, BACK (K690:US)				/K690:AEP, Germany)	

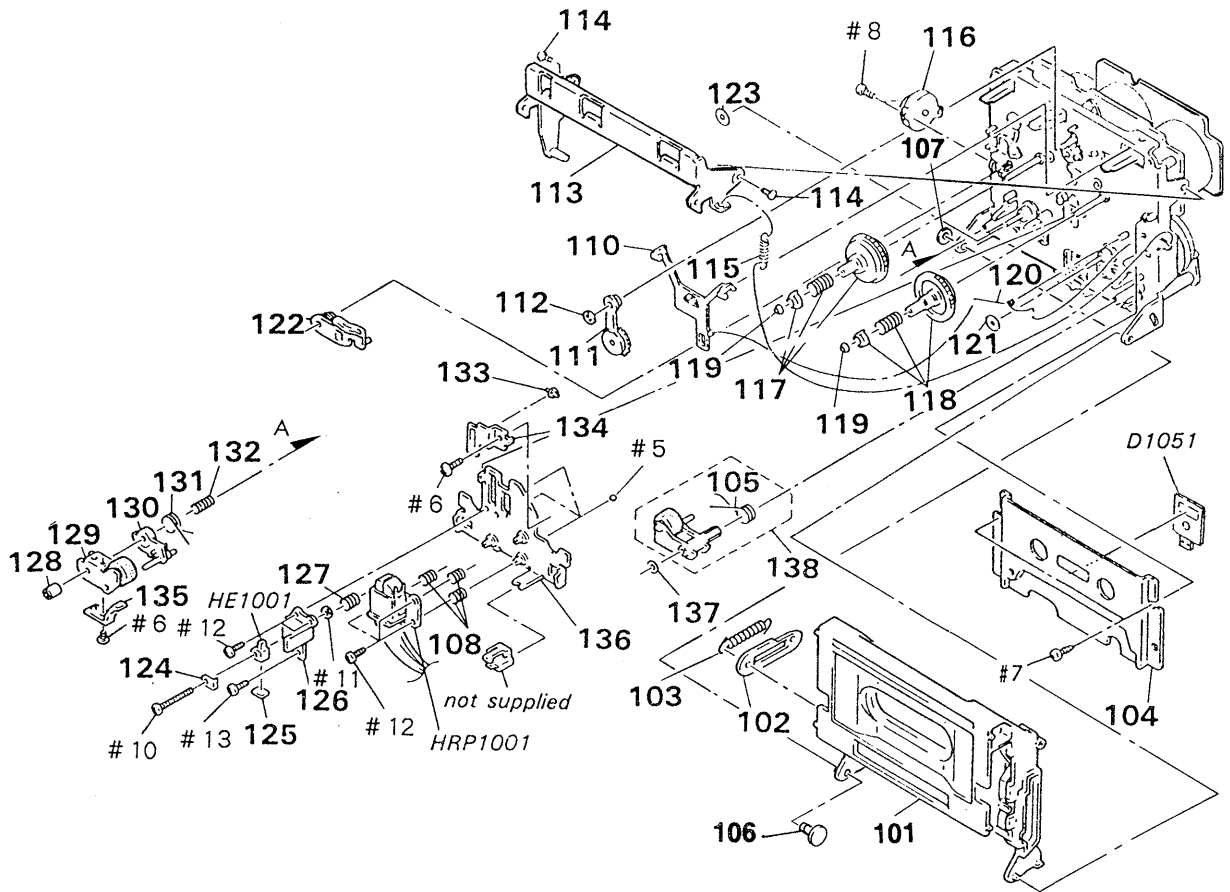
## 6-2. FRONT PANEL SECTION

- B : PANEL board
- C : DOLBY NR board
- D : REC LEVEL board
- E : HEADPHONE board
- F : REC CAL board



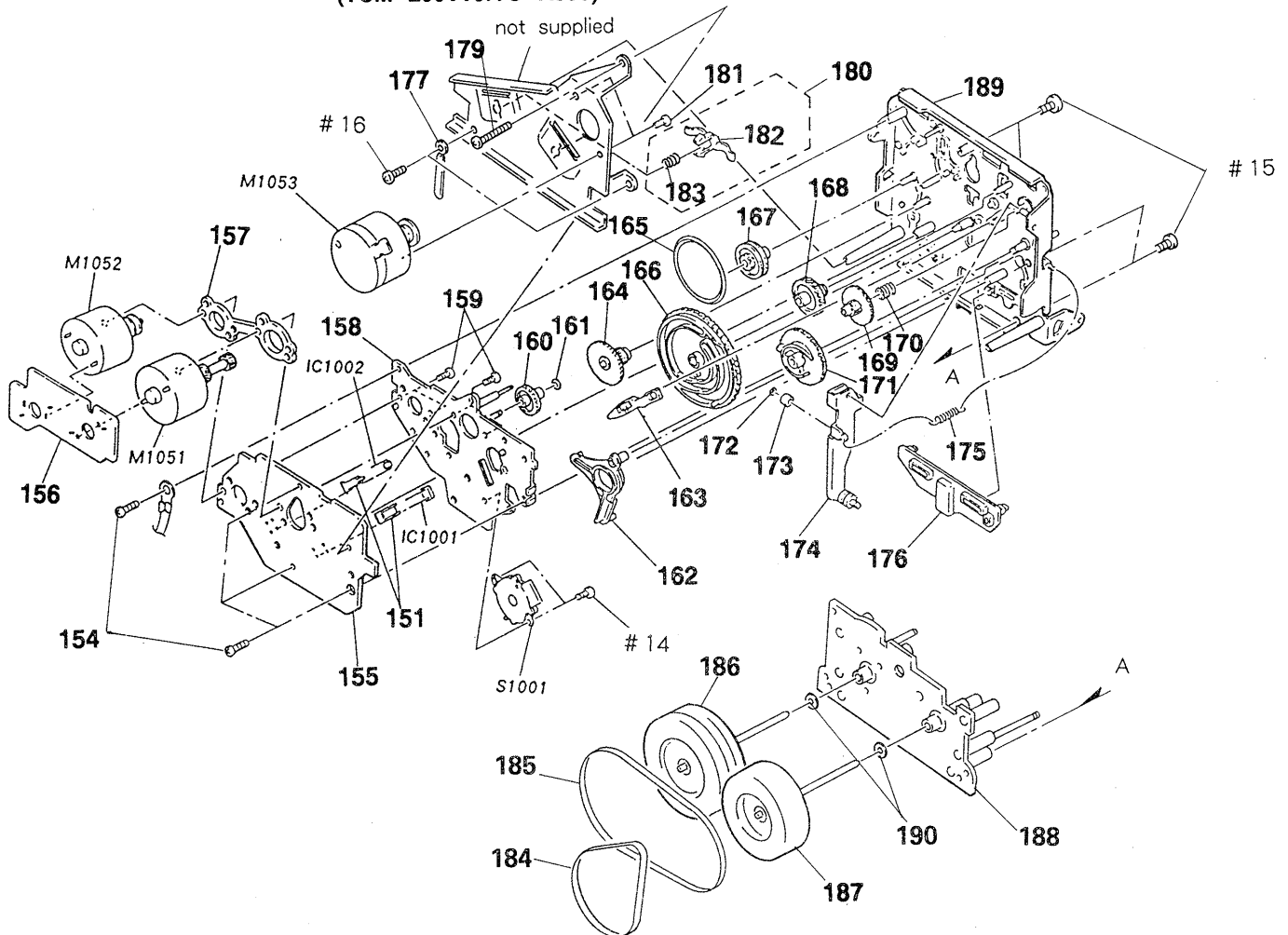
Ref. No.	Part No.	Description	Remarks	Ref. No.	Part No.	Description	Remarks
51	3-379-229-01	PANEL, FRONT (K690:AEP, Germany)		59	4-931-421-11	KNOB (T & S)	
51	3-379-229-11	PANEL, FRONT (K690:US)		60	4-928-635-01	SCREW, +BV (2. 6X8) TAPPING	
51	3-379-229-41	PANEL, FRONT (K679ES:US, Canadian)		61	9-911-844-XX	CUSHION	
51	3-379-229-51	PANEL, FRONT (K679ES:UK)		* 62	4-932-502-01	HOLDER, FL TUBE	
52	3-367-438-11	KNOB (REC)		63	3-368-281-31	BUTTON (B)	
53	3-370-186-01	SPRING (SWPA), RING		* 64	1-643-327-11	FL BOARD	
54	3-350-495-01	KNOB (VOL)		65	3-350-473-01	BUTTON (MPX)	
55	3-367-431-01	KNOB (BAL)		66	3-356-957-01	SPRING	
56	3-367-433-11	WINDOW (METER) (K690:US)		* 67	3-368-280-01	BRACKET (C)	
56	3-378-144-11	WINDOW (METER) (K679ES/K690:AEP, Germany)		68	3-370-003-01	KNOB (BAL)	
57	3-367-440-01	PANEL (BASE)		FLT751	1-519-710-11	INDICATOR TUBE, FLUORESCENT	
58	4-922-921-01	BUTTON (POWER)					

6-3. MECHANISM SECTION 1 (TCM-200V9:TC-K679ES)  
(TCM-200V10:TC-K690)



Ref. No.	Part No.	Description	Remarks	Ref. No.	Part No.	Description	Remarks
101	X-3364-799-1	HOLDER (CD) (2) ASSY, CASSETTE		122	X-3356-623-1	LEVER (BT) ASSY	
* 102	3-356-717-01	LEVER (JOINT)		123	3-356-713-01	WASHER	
103	3-356-626-01	SPRING, TENSION		124	3-318-433-01	SPRING	
104	X-3356-613-1	PLATE ASSY, ORNAMENTAL		* 125	1-608-268-00	PC BOARD, ERASE HEAD	
105	3-356-672-01	SPRING (PINCH LEVER T), TORSION		* 126	3-576-977-00	BRACKET, E. HEAD	
106	3-378-341-01	SHAFT (L) (CASSETTE HOLDER) (K690)		127	3-564-121-00	SPRING, COMPRESSION	
107	3-558-708-21	WASHER, STOPPER (K690)		128	3-356-652-01	NUT (PINCH LEVER S)	
108	3-356-659-01	SPRING (RPH), COMPRESSION		129	X-3356-621-1	LEVER (PINCH LEVER S) ASSY	
110	3-356-614-01	SLIDER (BRAKE)		130	3-356-660-01	LEVER (PS)	
111	X-3356-641-1	LEVER (FR2) ASSY		131	3-356-661-01	SPRING (PINCH LEVER S), TORSION	
112	3-669-465-11	WASHER (1.5), STOPPER		132	3-356-657-01	SPRING (PS), COMPRESSION	
* 113	X-3356-608-1	LEVER (LIFTER) ASSY		133	3-367-775-01	ROLLER (HEAD CHASSIS)	
114	3-356-601-11	SCREW, STEP		134	3-356-656-11	SPRING (HEAD PC BOARD), LEAF	
115	3-356-625-01	SPRING, TENSION		135	3-564-138-00	GUIDE (S), TAPE	
116	3-712-786-01	DAMPER, OIL		* 136	X-3362-861-1	SLIDER (HEAD CHASSIS V4) ASSY	
117	X-3356-629-1	GEAR (S) ASSY		137	3-669-596-00	WASHER (2.3), STOPPER	
118	X-3356-627-1	GEAR (T) ASSY		138	X-3356-620-1	LEVER (PINCH LEVER T) ASSY	
119	3-362-308-01	CAP (REEL)		D1051	8-719-980-85	DIODE SLF325C	
120	3-356-619-01	SPRING (B), TORSION		HE1001	1-543-836-11	HEAD, MAGNETIC (ERASE)	
121	3-332-763-01	RING, OIL RESERVOIR		HRP1001	1-543-834-11	HEAD, MAGNETIC (REC/PB) (K690)	
				HRP1001	1-543-835-11	HEAD, MAGNETIC (REC PB) (K679ES)	

**6-4. MECHANISM SECTION 2 (TCM-200V9:TC-K679ES)**  
**(TCM-200V10:TC-K690)**



Ref. No.	Part No.	Description	Remarks	Ref. No.	Part No.	Description	Remarks
151	3-356-631-01	HOLDER (SENSOR)		175	3-376-854-01	SPRING, TENSION	
154	3-355-801-01	SCREW (BTP 2X18)		176	3-356-653-01	SLIDER (PAUSE)	
* 155	1-632-740-11	MD BOARD		177	3-703-150-11	STOPPER, WIRING	
* 156	1-632-741-11	REAL MOTOR BOARD		179	3-356-707-01	SCREW (+PTPWH 2X25)	
* 157	3-356-628-01	SPACER (MOTOR)		180	X-3365-071-1	RETAINER (V4) ASSY, THRUST	
				181	4-885-599-00	SCREW, FITTING, REINFORCEMENT	
* 158	X-3356-616-1	BRACKET (MOTOR D) ASSY		182	3-575-321-00	RETAINER, THRUST, CAPSTAN	
159	3-363-804-01	SCREW (+P 2.6X6.5)		183	3-379-310-01	SPRING, COMPRESSION	
160	3-356-702-01	GEAR (COMMUNICATION B)		184	3-367-774-01	BELT (CAPSTAN V4)	
161	3-669-465-00	WASHER (1.5), STOPPER		185	3-364-600-01	BELT (CAPSTAN)	
162	3-356-613-01	LEVER (MODE)		186	X-3362-863-1	FLYWHEEL (VT) ASSY	
163	3-356-617-01	LEVER (SELECTION)		187	X-3362-864-1	FLYWHEEL (VS) ASSY	
164	3-356-606-01	GEAR (MODE)		* 188	X-3362-865-1	BRACKET (CAPSTAN BASE) ASSY	
165	3-356-603-01	BELT (MODE)		* 189	X-3362-862-1	CHASSIS (V4) ASSY, MECHANICAL	
166	3-356-747-01	GEAR (MODE CAM C)		190	3-356-705-31	WASHER (CAPSTAN)	
167	3-356-607-01	PULLEY (MODE)		M1051	X-3356-638-1	MOTOR (REEL R) ASSY	
168	3-356-703-01	GEAR (COMMUNICATION C)		M1052	X-3356-604-1	MOTOR (ASSIST) ASSY	
169	3-356-609-01	GEAR (LOADING)		M1053	X-3356-635-1	MOTOR (CAPSTAN R2) ASSY	
170	3-356-605-01	SPRING, COMPRESSION		S1001	1-466-238-11	ENCORDER, ROTARY	
171	3-356-616-01	GEAR (LOADING CAM)		IC1001	8-749-920-97	DIODE GP2S22B	
172	3-558-708-11	WASHER, STOPPER		IC1002	8-749-920-97	DIODE GP2S22B	
173	3-356-630-01	ROLLER (LOADING)					
* 174	X-3356-606-1	LEVER (LOADING) ASSY					

## SECTION 7 ELECTRICAL PARTS LIST

FL	MD
----	----

**NOTE:**

- Due to standardization, replacements in the parts list may be different from the parts specified in the diagrams or the components used on the set.
- -XX, -X mean standardized parts, so they may have some difference from the original one.
- Items marked "\*" are not stocked since they are seldom required for routine service. Some delay should be anticipated when ordering these items.
- CAPACITORS :  
uF :  $\mu$ F

- RESISTORS  
All resistors are in ohms.  
METAL : metal-film resistor  
METAL OXIDE : Metal Oxide-film resistor  
F : nonflammable
- COILS  
uH :  $\mu$ H
- SEMICONDUCTORS  
In each case, u :  $\mu$ , for example :  
uA... :  $\mu$ A..., uPA...,  $\mu$ PA...,  
uPB...,  $\mu$ PB..., uPC...,  $\mu$ PC...,  
uPD...,  $\mu$ PD...

The components identified by mark  $\Delta$  or dotted line with mark  $\Delta$  are critical for safety. Replace only with part number specified.

When indicating parts by reference number, please include the board name.

Ref. No.	Part No.	Description	Remarks		Ref. No.	Part No.	Description	Remarks
*	1-643-327-11	FL BOARD *****			R766	1-247-838-00	CARBON 2K 5% 1/4W	
	9-911-844-XX	CUSHION			R767	1-249-422-11	CARBON 2.7K 5% 1/4W	
*	4-932-502-01	HOLDER, FL TUBE			R768	1-249-426-11	CARBON 5.6K 5% 1/4W	
		< CONNECTOR >			R769	1-247-856-00	CARBON 11K 5% 1/4W	
* CNT704	1-580-782-11	CONNECTOR, BOARD TO BOARD					< SWITCH >	
* CNT705	1-580-782-11	CONNECTOR, BOARD TO BOARD			S751	1-554-303-21	SWITCH, TACTILE ( $\blacktriangle$ )	
* CNT706	1-580-782-11	CONNECTOR, BOARD TO BOARD			S752	1-554-303-21	SWITCH, TACTILE ( $\blacksquare$ )	
* CNT707	1-580-782-11	CONNECTOR, BOARD TO BOARD			S753	1-554-303-21	SWITCH, TACTILE (REW)	
		< CAPACITOR >			S754	1-554-303-21	SWITCH, TACTILE (FF)	
C751	1-126-022-11	ELECT 47uF 20% 25V			S755	1-554-303-21	SWITCH, TACTILE ( $\bullet$ )	
		< DIODE >			S756	1-554-303-21	SWITCH, TACTILE ( $\blacktriangleright$ )	
D751	8-719-987-63	DIODE 1N4148M			S757	1-554-303-21	SWITCH, TACTILE ( $\blacksquare$ )	
D752	8-719-987-63	DIODE 1N4148M			S758	1-554-303-21	SWITCH, TACTILE ( $\bullet$ )	
		< FILTER >			S759	1-554-303-21	SWITCH, TACTILE (RESET)	
FLT751	1-519-710-11	INDICATOR TUBE, FLUORESCENT			S760	1-554-303-21	SWITCH, TACTILE (MEMORY)	
		< IC >			S761	1-554-303-21	SWITCH, TACTILE (DISPLAY)	
IC751	8-741-100-48	IC SBX1610-59			S762	1-554-303-21	SWITCH, TACTILE (MONITOR)	
		< RESISTOR >			S763	1-554-303-21	SWITCH, TACTILE (CAL)	
R751	1-249-441-11	CARBON 100K 5% 1/4W			*****			
R756	1-249-441-11	CARBON 100K 5% 1/4W			*	1-632-740-11	MD BOARD *****	
R757	1-249-441-11	CARBON 100K 5% 1/4W				3-356-631-01	HOLDER (SENSOR)	
R758	1-249-441-11	CARBON 100K 5% 1/4W					< CONNECTOR >	
R759	1-247-838-00	CARBON 2K 5% 1/4W			CN1001	1-506-615-11	PIN, CONNECTOR 9P	
R760	1-249-422-11	CARBON 2.7K 5% 1/4W			CN1002	1-564-501-11	PIN, CONNECTOR 8P	
R761	1-249-426-11	CARBON 5.6K 5% 1/4W					< IC >	
R762	1-247-856-00	CARBON 11K 5% 1/4W			IC1001	8-749-920-97	DIODE GP2S22B	
R763	1-247-838-00	CARBON 2K 5% 1/4W			IC1002	8-749-920-97	DIODE GP2S22B	
R764	1-247-866-11	CARBON 30K 5% 1/4W						

**MD MAIN**

Ref. No.	Part No.	Description	Remarks	Ref. No.	Part No.	Description	Remarks
< RESISTOR >				C132	1-130-475-00	MYLAR 0.0022uF 5%	50V
R1001	1-249-408-11	CARBON 180 5% 1/4W		C133	1-136-174-00	FILM 0.56uF 5%	50V
R1002	1-249-408-11	CARBON 180 5% 1/4W		C134	1-136-171-00	FILM 0.33uF 5%	50V
< SWITCH >				C135	1-124-657-00	ELECT 10uF 20%	50V
S1002	1-570-953-11	SWITCH, PUSH (1 KEY) (DOOR)		C141	1-136-175-00	FILM 0.68uF 5%	50V
S1003	1-571-958-11	SWITCH, PUSH (1 KEY) (CLOSE)		C142	1-126-059-11	ELECT 10uF 20%	50V
S1004	1-572-126-11	SWITCH, PUSH (1 KEY) (OPEN)		C143	1-126-059-11	ELECT 10uF 20%	50V
S1005	1-572-125-11	SWITCH, LEAF (FWD)		C144	1-110-338-51	MYLAR 180PF 5%	50V
S1006	1-572-202-11	SWITCH, LEAF (HALF)		C145	1-136-935-11	FILM 22PF 5%	630V
S1007	1-572-125-11	SWITCH, LEAF (METAL)		C161	1-124-925-11	ELECT 2.2uF 20%	100V
S1008	1-572-125-11	SWITCH, LEAF (70uS)		C181	1-136-153-00	FILM 0.01uF 5%	50V
< TERMINAL >				C182	1-136-157-00	FILM 0.022uF 5%	50V
* TB1001	1-694-018-11	TERMINAL (5P)		C183	1-136-161-00	FILM 0.047uF 5%	50V
*****				C184	1-136-803-11	FILM 560PF 5%	630V
* A-2006-772-A	MAIN BOARD, COMPLETE (K679ES)			C185	1-136-433-11	FILM 100PF 5%	630V
*****				C186	1-130-468-00	MYLAR 560PF 5%	50V
* A-2006-759-A	MAIN BOARD, COMPLETE (K690)			C201	1-126-059-11	ELECT 10uF 20%	50V
*****				C202	1-162-286-31	CERAMIC 220PF 10%	50V
* 1-562-327-00	SOCKET, CONNECTOR 3P			C203	1-130-475-00	MYLAR 0.0022uF 5%	50V
* 1-690-880-31	READ (WITH CONNECTOR)			C204	1-130-475-00	MYLAR 0.0022uF 5%	50V
* 3-356-925-01	HEAT SINK			C205	1-136-174-00	FILM 0.56uF 5%	50V
* 7-682-547-04	SCREW +BVTT 3X6 (S)			C206	1-136-171-00	FILM 0.33uF 5%	50V
< CAPACITOR >				C207	1-126-059-11	ELECT 10uF 20%	50V
C101	1-126-059-11	ELECT 10uF 20%	50V	C208	1-124-657-00	ELECT 10uF 20%	50V
C102	1-162-286-31	CERAMIC 220PF 10%	50V	C210	1-161-494-00	CERAMIC 0.022uF	25V
C103	1-130-475-00	MYLAR 0.0022uF 5%	50V	C221	1-110-335-11	MYLAR 100PF 5%	50V
C104	1-130-475-00	MYLAR 0.0022uF 5%	50V				(K679ES)
C105	1-136-174-00	FILM 0.56uF 5%	50V	C221	1-110-340-11	MYLAR 270PF 5%	50V
C106	1-136-171-00	FILM 0.33uF 5%	50V				(K690)
C107	1-126-059-11	ELECT 10uF 20%	50V	C222	1-162-282-31	CERAMIC 100PF 10%	50V
C108	1-124-657-00	ELECT 10uF 20%	50V	C223	1-130-487-00	MYLAR 0.022uF 5%	50V
C110	1-161-494-00	CERAMIC 0.022uF	25V	C224	1-124-657-00	ELECT 10uF 20%	50V
C121	1-110-335-11	MYLAR 100PF 5%	50V	C225	1-130-488-00	MYLAR 0.027uF 5%	50V
			(K679ES)	C226	1-130-474-00	MYLAR 0.0018uF 5%	50V
C121	1-110-340-11	MYLAR 270PF 5%	50V	C227	1-102-518-11	CERAMIC 33PF 5%	50V
			(K690)	C228	1-130-474-00	MYLAR 0.0018uF 5%	50V
C122	1-162-282-31	CERAMIC 100PF 10%	50V	C231	1-130-475-00	MYLAR 0.0022uF 5%	50V
C123	1-130-487-00	MYLAR 0.022uF 5%	50V	C232	1-130-475-00	MYLAR 0.0022uF 5%	50V
C124	1-124-657-00	ELECT 10uF 20%	50V	C233	1-136-174-00	FILM 0.56uF 5%	50V
C125	1-130-488-00	MYLAR 0.027uF 5%	50V	C234	1-136-171-00	FILM 0.33uF 5%	50V
C126	1-130-474-00	MYLAR 0.0018uF 5%	50V	C235	1-124-657-00	ELECT 10uF 20%	50V
C127	1-102-518-11	CERAMIC 33PF 5%	50V	C241	1-136-175-00	FILM 0.68uF 5%	50V
C128	1-130-474-00	MYLAR 0.0018uF 5%	50V	C242	1-126-059-11	ELECT 10uF 20%	50V
C131	1-130-475-00	MYLAR 0.0022uF 5%	50V	C243	1-126-059-11	ELECT 10uF 20%	50V
				C244	1-110-338-51	MYLAR 180PF 5%	50V
				C245	1-136-935-11	FILM 22PF 5%	630V
				C261	1-124-925-11	ELECT 2.2uF 20%	100V
				C281	1-136-153-00	FILM 0.01uF 5%	50V
				C282	1-136-157-00	FILM 0.022uF 5%	50V

MAIN

Ref. No.	Part No.	Description	Remarks	Ref. No.	Part No.	Description	Remarks
C283	1-136-161-00	FILM	0.047uF 5% 50V	C803	1-124-556-11	ELECT	2200uF 20% 16V
C284	1-136-803-11	FILM	560PF 5% 630V	C804	1-124-556-11	ELECT	2200uF 20% 16V
C285	1-136-433-11	FILM	100PF 5% 630V	C806	1-124-477-11	ELECT	47uF 20% 25V
C286	1-130-468-00	MYLAR	560PF 5% 50V	C808	1-124-999-11	ELECT	2200uF 20% 10V
C501	1-126-022-11	ELECT	47uF 20% 25V	C809	1-124-999-11	ELECT	2200uF 20% 10V
C502	1-126-022-11	ELECT	47uF 20% 25V	C810	1-124-907-11	ELECT	10uF 20% 50V
C503	1-130-478-00	MYLAR	0.0039uF 5% 50V	C811	1-126-936-11	ELECT	3300uF 20% 16V
C504	1-136-164-00	FILM	0.082uF 5% 50V	C813	1-124-907-11	ELECT	10uF 20% 50V
C505	1-124-902-00	ELECT	0.47uF 20% 50V	C814	1-126-916-11	ELECT	1000uF 20% 6.3V
C506	1-161-494-00	CERAMIC	0.022uF 25V	C815	1-124-564-11	ELECT	4700uF 20% 25V
C507	1-124-925-11	ELECT	2.2uF 20% 100V	C816	1-124-907-11	ELECT	10uF 20% 50V
C508	1-124-925-11	ELECT	2.2uF 20% 100V	C817	1-126-768-11	ELECT	2200uF 20% 16V
C509	1-124-925-11	ELECT	2.2uF 20% 100V	C818	1-124-122-11	ELECT	100uF 20% 50V
C510	1-124-907-11	ELECT	10uF 20% 50V	C819	1-126-947-11	ELECT	47uF 20% 35V
C521	1-124-994-11	ELECT	100uF 20% 10V	C820	1-164-159-11	CERAMIC	0.1uF 50V
C522	1-124-994-11	ELECT	100uF 20% 10V	< CONNECTOR >			
C531	1-126-022-11	ELECT	47uF 20% 25V	* CND518	1-564-339-00	PIN, CONNECTOR	5P
C532	1-126-022-11	ELECT	47uF 20% 25V	* CND519	1-564-337-61	PIN, CONNECTOR	3P
C533	1-164-159-11	CERAMIC	0.1uF 50V	* CND703	1-564-338-71	PIN, CONNECTOR	4P
C534	1-124-903-11	ELECT	1uF 20% 50V	* CND802	1-564-340-00	PIN, CONNECTOR	6P
C535	1-124-907-11	ELECT	10uF 20% 50V	* CNE512	1-564-508-11	PLUG, CONNECTOR	5P
C536	1-124-907-11	ELECT	10uF 20% 50V	* CNE521	1-564-506-11	PLUG, CONNECTOR	3P
C537	1-136-174-00	ELECT	0.56uF 5% 50V	* CNE522	1-564-505-11	PLUG, CONNECTOR	2P
C538	1-136-174-00	ELECT	0.56uF 5% 50V	* CNE701	1-564-506-11	PLUG, CONNECTOR	3P
C563	1-162-217-31	CERAMIC	56PF 5% 50V	* CNE702	1-564-505-11	PLUG, CONNECTOR	2P
C564	1-136-157-00	FILM	0.022uF 5% 50V	* CNE801	1-564-513-11	PLUG, CONNECTOR	10P
C565	1-162-217-31	CERAMIC	56PF 5% 50V	* CNN515	1-560-062-00	PIN, CONNECTOR	4P
C566	1-124-925-11	ELECT	2.2uF 20% 100V	* CNN516	1-560-062-00	PIN, CONNECTOR	4P
C583	1-124-907-11	ELECT	10uF 20% 50V	* CNN517	1-560-061-00	PIN, CONNECTOR	3P
C584	1-124-477-11	ELECT	47uF 20% 25V	* CNP501	1-564-705-11	PIN, CONNECTOR (SMALL TYPE)	3P
C585	1-124-477-11	ELECT	47uF 20% 25V	* CNP508	1-564-705-11	PIN, CONNECTOR (SMALL TYPE)	3P
C586	1-136-593-11	FILM	0.0033uF 5% 100V	* CNP509	1-564-719-11	PIN, CONNECTOR (SMALL TYPE)	3P
C587	1-136-593-11	FILM	0.0033uF 5% 100V	* CNP510	1-564-705-11	PIN, CONNECTOR (SMALL TYPE)	3P
C588	1-130-955-00	FILM	0.01uF 5% 100V	* CNP513	1-564-707-11	PIN, CONNECTOR (SMALL TYPE)	5P
C589	1-161-494-00	CERAMIC	0.022uF 25V	* CNP514	1-564-707-11	PIN, CONNECTOR (SMALL TYPE)	5P
C590	1-124-907-11	ELECT	10uF 20% 50V	* CNT704	1-580-784-11	CONNECTOR, BOARD TO BOARD	
C591	1-107-045-00	MICA	3.9PF 500V	* CNT705	1-580-784-11	CONNECTOR, BOARD TO BOARD	
C592	1-136-559-11	FILM	0.0047uF 5% 630V	* CNT706	1-580-784-11	CONNECTOR, BOARD TO BOARD	
C701	1-162-294-31	CERAMIC	0.001uF 10% 50V	* CNT707	1-580-784-11	CONNECTOR, BOARD TO BOARD	
C702	1-162-294-31	CERAMIC	0.001uF 10% 50V	< DIODE >			
C703	1-124-902-00	ELECT	0.47uF 20% 50V	D101	8-719-987-63	DIODE	1N4148M
C704	1-164-159-11	CERAMIC	0.1uF 50V	D102	8-719-987-63	DIODE	1N4148M
C705	1-164-159-11	CERAMIC	0.1uF 50V	D201	8-719-987-63	DIODE	1N4148M
C707	1-126-923-11	ELECT	220uF 20% 10V	D202	8-719-987-63	DIODE	1N4148M
C708	1-124-477-11	ELECT	47uF 20% 25V	D501	8-719-987-63	DIODE	1N4148M
C709	1-124-907-11	ELECT	10uF 20% 50V	D502	8-719-987-63	DIODE	1N4148M
C710	1-164-159-11	CERAMIC	0.1uF 50V	D503	8-719-987-63	DIODE	1N4148M
C711	1-164-159-11	CERAMIC	0.1uF 50V				
C712	1-164-159-11	CERAMIC	0.1uF 50V				

## MAIN

<u>Ref. No.</u>	<u>Part No.</u>	<u>Description</u>	<u>Remarks</u>	<u>Ref. No.</u>	<u>Part No.</u>	<u>Description</u>	<u>Remarks</u>
D504	8-719-987-63	DIODE	1N4148M	IC503	8-752-060-64	IC	CXA1198AP
D505	8-719-987-63	DIODE	1N4148M	IC504	8-759-106-56	IC	uPC1297CA
D506	8-719-987-63	DIODE	1N4148M	IC505	8-759-111-44	IC	uPC4570C-1
D507	8-719-987-63	DIODE	1N4148M	IC506	8-752-059-55	IC	CXA1331S
D508	8-719-987-63	DIODE	1N4148M	IC507	8-759-634-51	IC	M5218AP
D509	8-719-987-63	DIODE	1N4148M	IC508	8-759-945-58	IC	RC4558P
D510	8-719-987-63	DIODE	1N4148M	IC509	8-759-945-58	IC	RC4558P
D511	8-719-987-63	DIODE	1N4148M	IC510	8-759-634-50	IC	M5218AL
D512	8-719-987-63	DIODE	1N4148M	IC701	8-759-060-83	IC	M50941-712SP
D513	8-719-987-63	DIODE	1N4148M	IC702	8-759-240-69	IC	TC4069UBP
D514	8-719-987-63	DIODE	1N4148M	IC703	8-759-973-95	IC	BA6219B
D515	8-719-987-63	DIODE	1N4148M	IC704	8-759-822-09	IC	LB1641
D516	8-719-987-63	DIODE	1N4148M	IC801	8-759-945-58	IC	RC4558P
D701	8-719-987-63	DIODE	1N4148M				< JACK >
D702	8-719-987-63	DIODE	1N4148M	J501	1-573-070-11	JACK, PIN 4P (LINE)	(K679ES)
D703	8-719-987-63	DIODE	1N4148M	J501	1-565-258-11	JACK, PIN 4P (LINE)	(K690)
D704	8-719-987-63	DIODE	1N4148M	J502	1-507-796-71	JACK (HEADPHONES)	
D705	8-719-987-63	DIODE	1N4148M				< COIL >
D706	8-719-987-63	DIODE	1N4148M	L121	1-410-778-11	INDUCTOR	18mH
D707	8-719-200-77	DIODE	10E2N	L141	1-410-780-11	INDUCTOR	27mH
D708	8-719-933-33	DIODE	HZS6A1L	L221	1-410-778-11	INDUCTOR	18mH
D709	8-719-933-33	DIODE	HZS6A1L	L241	1-410-780-11	INDUCTOR	27mH
D712	8-719-987-63	DIODE	1N4148M	L501	1-408-080-00	INDUCTOR	100uH
D713	8-719-987-63	DIODE	1N4148M				< FILTER >
D714	8-719-987-63	DIODE	1N4148M	LPF101	1-236-147-11	FILTER, LOW PASS	
D715	8-719-987-63	DIODE	1N4148M	LPF201	1-236-147-11	FILTER, LOW PASS	
D718	8-719-987-63	DIODE	1N4148M				< TRANSISTOR >
D801	8-719-200-77	DIODE	10E2N	Q101	8-729-142-25	TRANSISTOR	2SD1020-HFE
D802	8-719-200-77	DIODE	10E2N	Q102	8-729-142-25	TRANSISTOR	2SD1020-HFE
D803	8-719-200-77	DIODE	10E2N	Q103	8-729-900-74	TRANSISTOR	DTC143TS
D804	8-719-200-77	DIODE	10E2N	Q201	8-729-142-25	TRANSISTOR	2SD1020-HFE
D805	8-719-933-33	DIODE	HZS6A1L	Q202	8-729-142-25	TRANSISTOR	2SD1020-HFE
D806	8-719-933-33	DIODE	HZS6A1L	Q203	8-729-900-74	TRANSISTOR	DTC143TS
D807	8-719-987-63	DIODE	1N4148M	Q501	8-729-620-05	TRANSISTOR	2SC2603-EF
D812	8-719-987-63	DIODE	1N4148M	Q502	8-729-620-05	TRANSISTOR	2SC2603-EF
D813	8-719-200-31	DIODE	21DQ05	Q503	8-729-922-37	TRANSISTOR	2SD2144S
D814	8-719-000-78	DIODE	HZS7A1L	Q504	8-729-900-80	TRANSISTOR	DTC114ES
D815	8-719-987-63	DIODE	1N4148M	Q505	8-729-119-76	TRANSISTOR	2SA1175-HFE
D816	8-719-987-63	DIODE	1N4148M	Q506	8-729-142-25	TRANSISTOR	2SD1020-HFE
D817	8-719-001-70	DIODE	UZL-12M1	Q507	8-729-900-80	TRANSISTOR	DTC114ES
D818	8-719-200-77	DIODE	10E2N	Q508	8-729-821-04	TRANSISTOR	2SA1317-STU
D819	8-719-200-77	DIODE	10E2N	Q509	8-729-900-80	TRANSISTOR	DTC114ES
D820	8-719-000-93	DIODE	UZL-7H1	Q510	8-729-900-80	TRANSISTOR	DTC114ES
D822	8-719-987-63	DIODE	1N4148M	Q511	8-729-194-57	TRANSISTOR	2SC945-P
D823	8-719-312-09	DIODE	RBA-402	Q512	8-729-194-57	TRANSISTOR	2SC945-P
			< IC >				
IC501	8-752-059-55	IC	CXA1331S				
IC502	8-759-000-49	IC	TC4069UBP				



MAIN

Ref. No.	Part No.	Description	Remarks	Ref. No.	Part No.	Description	Remarks
Q513	8-729-900-80	TRANSISTOR DTC114ES		R106	1-259-461-11	CARBON 24K 5% 1/6W	
Q514	8-729-900-80	TRANSISTOR DTC114ES		R107	1-259-422-11	CARBON 560 5% 1/6W	
Q515	8-729-900-80	TRANSISTOR DTC114ES		R108	1-259-476-11	CARBON 100K 5% 1/6W	
Q516	8-729-900-80	TRANSISTOR DTC114ES		R109	1-259-436-11	CARBON 2. 2K 5% 1/6W	
Q517	8-729-900-80	TRANSISTOR DTC114ES		R110	1-249-421-11	CARBON 2. 2K 5% 1/4W	
Q701	8-729-900-61	TRANSISTOR DTA114ES		R111	1-259-467-11	CARBON 43K 5% 1/6W	
Q702	8-729-900-61	TRANSISTOR DTA114ES		R112	1-259-428-11	CARBON 1K 5% 1/6W	
Q703	8-729-900-61	TRANSISTOR DTA114ES		R115	1-249-421-11	CARBON 2. 2K 5% 1/4W	
Q704	8-729-900-61	TRANSISTOR DTA114ES		R121	1-259-466-11	CARBON 39K 5% 1/6W (K679ES)	
Q705	8-729-119-76	TRANSISTOR 2SA1175-HFE		R121	1-259-476-11	CARBON 100K 5% 1/6W (K690)	
Q706	8-729-119-76	TRANSISTOR 2SA1175-HFE		R122	1-259-402-11	CARBON 82 5% 1/6W	
Q707	8-729-900-61	TRANSISTOR DTA114ES		R123	1-259-479-11	CARBON 130K 5% 1/6W	
Q708	8-729-900-61	TRANSISTOR DTA114ES		R124	1-259-446-11	CARBON 5. 6K 5% 1/6W	
Q709	8-729-620-05	TRANSISTOR 2SC2603-EF		R125	1-259-434-11	CARBON 1. 8K 5% 1/6W	
Q710	8-729-900-80	TRANSISTOR DTC114ES		R126	1-259-435-11	CARBON 2K 5% 1/6W	
Q711	8-729-900-65	TRANSISTOR DTA144ES		R127	1-259-484-11	CARBON 220K 5% 1/6W	
Q712	8-729-900-80	TRANSISTOR DTC114ES		R131	1-249-429-11	CARBON 10K 5% 1/4W	
Q713	8-729-900-65	TRANSISTOR DTA144ES		R132	1-249-429-11	CARBON 10K 5% 1/4W	
Q714	8-729-620-05	TRANSISTOR 2SC2603-EF		R133	1-249-429-11	CARBON 10K 5% 1/4W	
Q715	8-729-900-89	TRANSISTOR DTC144ES		R134	1-259-461-11	CARBON 24K 5% 1/6W	
Q716	8-729-900-89	TRANSISTOR DTC144ES		R135	1-259-422-11	CARBON 560 5% 1/6W	
Q717	8-729-900-61	TRANSISTOR DTA114ES		R136	1-259-452-11	CARBON 10K 5% 1/6W	
Q718	8-729-900-61	TRANSISTOR DTA114ES		R137	1-259-476-11	CARBON 100K 5% 1/6W	
Q719	8-729-900-61	TRANSISTOR DTA114ES		R141	1-259-444-11	CARBON 4. 7K 5% 1/6W	
Q720	8-729-900-61	TRANSISTOR DTA114ES		R142	1-259-442-11	CARBON 3. 9K 5% 1/6W	
Q721	8-729-900-61	TRANSISTOR DTA114ES		R143	1-259-440-11	CARBON 3. 3K 5% 1/6W	
Q722	8-729-900-61	TRANSISTOR DTA114ES		R144	1-259-452-11	CARBON 10K 5% 1/6W	
Q723	8-729-900-65	TRANSISTOR DTA144ES		R145	1-249-421-11	CARBON 2. 2K 5% 1/4W	
Q724	8-729-900-65	TRANSISTOR DTA144ES		R146	1-259-444-11	CARBON 4. 7K 5% 1/6W	
Q725	8-729-900-80	TRANSISTOR DTC114ES		R151	1-249-433-11	CARBON 22K 5% 1/4W	
Q726	8-729-900-65	TRANSISTOR DTA144ES		R152	1-249-421-11	CARBON 2. 2K 5% 1/4W	
Q727	8-729-900-65	TRANSISTOR DTA144ES		R153	1-247-862-11	CARBON 20K 5% 1/4W	
Q729	8-729-900-61	TRANSISTOR DTA114ES		R154	1-249-409-11	CARBON 220 5% 1/4W	
Q801	8-729-900-61	TRANSISTOR DTA114ES		R161	1-249-434-11	CARBON 27K 5% 1/4W	
Q802	8-729-900-80	TRANSISTOR DTC114ES		R162	1-247-874-11	CARBON 62K 5% 1/4W	
Q803	8-729-141-83	TRANSISTOR 2SB1094-LK		R163	1-249-410-11	CARBON 270 5% 1/4W	
Q804	8-729-209-15	TRANSISTOR 2SD2012		R181	1-249-428-11	CARBON 8. 2K 5% 1/4W (K679ES)	
Q805	8-729-209-15	TRANSISTOR 2SD2012		R181	1-249-427-11	CARBON 6. 8K 5% 1/4W (K690)	
Q806	8-729-620-05	TRANSISTOR 2SC2603-EF		R182	1-249-435-11	CARBON 33K 5% 1/4W	
Q807	8-729-900-80	TRANSISTOR DTC114ES		△R183	1-219-153-11	FUSIBLE 10 5% 1/4W F	
Q808	8-729-141-83	TRANSISTOR 2SB1094-LK		R184	1-247-883-00	CARBON 150K 5% 1/4W	
Q809	8-729-620-05	TRANSISTOR 2SC2603-EF		R201	1-259-460-11	CARBON 22K 5% 1/6W	
Q810	8-729-119-76	TRANSISTOR 2SA1175-HFE		R204	1-259-440-11	CARBON 3. 3K 5% 1/6W	
Q811	8-729-140-04	TRANSISTOR 2SB1116A-L		R205	1-259-450-11	CARBON 8. 2K 5% 1/6W	
		< RESISTOR >		R206	1-259-461-11	CARBON 24K 5% 1/6W	
R101	1-259-460-11	CARBON 22K 5% 1/6W		R207	1-259-422-11	CARBON 560 5% 1/6W	
R104	1-259-440-11	CARBON 3. 3K 5% 1/6W		R208	1-259-476-11	CARBON 100K 5% 1/6W	
R105	1-259-450-11	CARBON 8. 2K 5% 1/6W		R209	1-259-436-11	CARBON 2. 2K 5% 1/6W	
				R210	1-249-421-11	CARBON 2. 2K 5% 1/4W	
				R211	1-259-467-11	CARBON 43K 5% 1/6W	

**Note:**  
The components identified by mark  $\Delta$  or dotted line with mark  $\Delta$  are critical for safety. Replace only with part number specified.

**Note:**  
Les composants identifiés par une marque  $\Delta$  sont critiques pour la sécurité. Ne les remplacer que par une pièce portant le numéro spécifié.

## MAIN

Ref. No.	Part No.	Description	Quantity	Percentage	Unit	Remarks	Ref. No.	Part No.	Description	Quantity	Percentage	Unit	Remarks
R212	1-259-428-11	CARBON	1K	5%	1/6W		R518	1-249-427-11	CARBON	6.8K	5%	1/4W	
R215	1-249-421-11	CARBON	2.2K	5%	1/4W		R519	1-249-437-11	CARBON	47K	5%	1/4W	
R221	1-259-466-11	CARBON	39K	5%	1/6W(K679ES)		R520	1-249-434-11	CARBON	27K	5%	1/4W	
R221	1-259-476-11	CARBON	100K	5%	1/6W(K690)		R521	1-247-704-11	CARBON	220	5%	1/4W	
R222	1-259-402-11	CARBON	82	5%	1/6W		R522	1-247-704-11	CARBON	220	5%	1/4W	
R223	1-259-479-11	CARBON	130K	5%	1/6W		R523	1-249-429-11	CARBON	10K	5%	1/4W	
R224	1-259-446-11	CARBON	5.6K	5%	1/6W		R524	1-249-429-11	CARBON	10K	5%	1/4W	
R225	1-259-434-11	CARBON	1.8K	5%	1/6W		R525	1-249-429-11	CARBON	10K	5%	1/4W	
R226	1-259-435-11	CARBON	2K	5%	1/6W		R526	1-249-422-11	CARBON	2.7K	5%	1/4W	
R227	1-259-484-11	CARBON	220K	5%	1/6W		R527	1-249-437-11	CARBON	47K	5%	1/4W	
R231	1-249-429-11	CARBON	10K	5%	1/4W		R528	1-249-441-11	CARBON	100K	5%	1/4W	
R232	1-249-429-11	CARBON	10K	5%	1/4W		R529	1-249-431-11	CARBON	15K	5%	1/4W	
R233	1-249-429-11	CARBON	10K	5%	1/4W		R531	1-259-428-11	CARBON	1K	5%	1/6W	
R234	1-259-461-11	CARBON	24K	5%	1/6W		R532	1-215-455-00	METAL	27K	1%	1/6W	
R235	1-259-422-11	CARBON	560	5%	1/6W		R533	1-249-437-11	CARBON	47K	5%	1/4W	
R236	1-259-452-11	CARBON	10K	5%	1/6W		R534	1-249-441-11	CARBON	100K	5%	1/4W	
R237	1-259-476-11	CARBON	100K	5%	1/6W		R535	1-215-454-00	METAL	24K	1%	1/6W	
R241	1-259-444-11	CARBON	4.7K	5%	1/6W		R563	1-249-441-11	CARBON	100K	5%	1/4W	
R242	1-259-442-11	CARBON	3.9K	5%	1/6W		R564	1-249-429-11	CARBON	10K	5%	1/4W	
R243	1-259-440-11	CARBON	3.3K	5%	1/6W		R565	1-249-441-11	CARBON	100K	5%	1/4W	
R244	1-259-452-11	CARBON	10K	5%	1/6W		R566	1-249-428-11	CARBON	8.2K	5%	1/4W	
R245	1-249-421-11	CARBON	2.2K	5%	1/4W		R567	1-249-441-11	CARBON	100K	5%	1/4W	
R246	1-259-444-11	CARBON	4.7K	5%	1/6W		R568	1-249-423-11	CARBON	3.3K	5%	1/4W	
R251	1-249-433-11	CARBON	22K	5%	1/4W		R569	1-249-441-11	CARBON	100K	5%	1/4W	
R252	1-249-421-11	CARBON	2.2K	5%	1/4W		R570	1-249-429-11	CARBON	10K	5%	1/4W	
R253	1-247-862-11	CARBON	20K	5%	1/4W		R571	1-249-429-11	CARBON	10K	5%	1/4W	
R254	1-249-409-11	CARBON	220	5%	1/4W		R572	1-249-417-11	CARBON	1K	5%	1/4W	
R261	1-249-434-11	CARBON	27K	5%	1/4W		R581	1-249-429-11	CARBON	10K	5%	1/4W	
R262	1-247-874-11	CARBON	62K	5%	1/4W		R582	1-249-429-11	CARBON	10K	5%	1/4W	
R263	1-249-410-11	CARBON	270	5%	1/4W		R583	1-247-826-00	CARBON	620	5%	1/4W(K679ES)	
R281	1-249-428-11	CARBON	8.2K	5%	1/4W(K679ES)		R583	1-247-822-11	CARBON	430	5%	1/4W(K690)	
R281	1-249-427-11	CARBON	6.8K	5%	1/4W(K690)		R584	1-247-834-11	CARBON	1.3K	5%	1/4W(K679ES)	
R282	1-249-435-11	CARBON	33K	5%	1/4W		R584	1-249-417-11	CARBON	1K	5%	1/4W(K690)	
△R283	1-219-153-11	FUSIBLE	10	5%	1/4W	F	R585	1-247-872-11	CARBON	51K	5%	1/4W(K679ES)	
R284	1-247-883-00	CARBON	150K	5%	1/4W		R585	1-247-862-11	CARBON	20K	5%	1/4W(K690)	
R501	1-259-428-11	CARBON	1K	5%	1/6W		R586	1-249-417-11	CARBON	1K	5%	1/4W	
R502	1-215-455-00	METAL	27K	1%	1/6W		R587	1-249-436-11	CARBON	39K	5%	1/4W	
R505	1-249-427-11	CARBON	6.8K	5%	1/4W		R588	1-249-436-11	CARBON	39K	5%	1/4W	
R506	1-249-381-11	CARBON	1	5%	1/4W		R589	1-249-391-11	CARBON	6.8	5%	1/4W	
R507	1-247-848-11	CARBON	5.1K	5%	1/4W		R590	1-249-391-11	CARBON	6.8	5%	1/4W	
R508	1-249-433-11	CARBON	22K	5%	1/4W		R591	1-249-421-11	CARBON	2.2K	5%	1/4W	
R509	1-249-436-11	CARBON	39K	5%	1/4W		R592	1-249-429-11	CARBON	10K	5%	1/4W	
R510	1-249-421-11	CARBON	2.2K	5%	1/4W		R601	1-249-440-11	CARBON	82K	5%	1/4W(K679ES)	
R511	1-249-421-11	CARBON	2.2K	5%	1/4W		R601	1-249-439-11	CARBON	68K	5%	1/4W(K690)	
R512	1-249-441-11	CARBON	100K	5%	1/4W		R602	1-249-435-11	CARBON	33K	5%	1/4W	
R513	1-249-441-11	CARBON	100K	5%	1/4W		R603	1-249-439-11	CARBON	68K	5%	1/4W(K679ES)	
R514	1-247-836-11	CARBON	1.6K	5%	1/4W		R603	1-249-437-11	CARBON	47K	5%	1/4W(K690)	
R516	1-249-437-11	CARBON	47K	5%	1/4W		R604	1-247-876-11	CARBON	75K	5%	1/4W(K679ES)	
R517	1-249-433-11	CARBON	22K	5%	1/4W		R604	1-247-874-11	CARBON	62K	5%	1/4W(K690)	

**Note:**  
The components identified by mark  $\Delta$  or dotted line with mark  $\Delta$  are critical for safety. Replace only with part number specified.

**Note:**  
Les composants identifiés par une marque  $\Delta$  sont critiques pour la sécurité. Ne les remplacer que par une pièce portant le numéro spécifié.

Ref. No.	Part No.	Description	Remarks			Ref. No.	Part No.	Description	Remarks		
R605	1-249-439-11	CARBON	68K	5%	1/4W (K679ES)	R729	1-249-435-11	CARBON	33K	5%	1/4W
R605	1-249-441-11	CARBON	100K	5%	1/4W (K690)	R730	1-249-435-11	CARBON	33K	5%	1/4W
R606	1-249-433-11	CARBON	22K	5%	1/4W	R731	1-249-425-11	CARBON	4.7K	5%	1/4W
R607	1-247-874-11	CARBON	62K	5%	1/4W	R732	1-249-417-11	CARBON	1K	5%	1/4W
R608	1-249-437-11	CARBON	47K	5%	1/4W	R733	1-247-903-00	CARBON	1M	5%	1/4W
R609	1-247-882-11	CARBON	130K	5%	1/4W (K679ES)	R735	1-249-421-11	CARBON	2.2K	5%	1/4W
R609	1-247-880-11	CARBON	110K	5%	1/4W (K690)	△R736	1-212-942-00	FUSIBLE	2.2	5%	1/2W F
R610	1-247-876-11	CARBON	75K	5%	1/4W (K679ES)	R737	1-249-429-11	CARBON	10K	5%	1/4W
R610	1-247-878-00	CARBON	91K	5%	1/4W (K690)	R738	1-249-429-11	CARBON	10K	5%	1/4W
R611	1-249-438-11	CARBON	56K	5%	1/4W (K679ES)	R739	1-249-429-11	CARBON	10K	5%	1/4W
R611	1-249-439-11	CARBON	68K	5%	1/4W (K690)	R740	1-249-425-11	CARBON	4.7K	5%	1/4W
R612	1-247-887-00	CARBON	220K	5%	1/4W	R742	1-249-441-11	CARBON	100K	5%	1/4W
R613	1-247-876-11	CARBON	75K	5%	1/4W (K679ES)	R743	1-249-441-11	CARBON	100K	5%	1/4W
R613	1-249-439-11	CARBON	68K	5%	1/4W (K690)	R744	1-249-441-11	CARBON	100K	5%	1/4W
R614	1-247-872-11	CARBON	51K	5%	1/4W	R745	1-249-432-11	CARBON	18K	5%	1/4W
R616	1-249-437-11	CARBON	47K	5%	1/4W (K679ES)	R746	1-249-429-11	CARBON	10K	5%	1/4W
R616	1-247-874-11	CARBON	62K	5%	1/4W (K690)	R747	1-249-429-11	CARBON	10K	5%	1/4W
R617	1-249-440-11	CARBON	82K	5%	1/4W (K679ES)	R748	1-249-429-11	CARBON	10K	5%	1/4W
R617	1-247-874-11	CARBON	62K	5%	1/4W (K690)	R749	1-247-862-11	CARBON	20K	5%	1/4W
R618	1-247-883-00	CARBON	150K	5%	1/4W (K679ES)	R750	1-247-866-11	CARBON	30K	5%	1/4W
R618	1-247-886-11	CARBON	200K	5%	1/4W (K690)	R752	1-249-441-11	CARBON	100K	5%	1/4W
R619	1-249-435-11	CARBON	33K	5%	1/4W	R753	1-249-441-11	CARBON	100K	5%	1/4W
R701	1-247-887-00	CARBON	220K	5%	1/4W	R754	1-249-441-11	CARBON	100K	5%	1/4W
R702	1-247-887-00	CARBON	220K	5%	1/4W	R755	1-249-441-11	CARBON	100K	5%	1/4W
R703	1-249-436-11	CARBON	39K	5%	1/4W	R770	1-249-441-11	CARBON	100K	5%	1/4W
R704	1-247-887-00	CARBON	220K	5%	1/4W	R802	1-249-425-11	CARBON	4.7K	5%	1/4W
R705	1-249-436-11	CARBON	39K	5%	1/4W	R803	1-249-420-11	CARBON	1.8K	5%	1/4W
R706	1-247-887-00	CARBON	220K	5%	1/4W	R804	1-249-412-11	CARBON	390	5%	1/4W
R707	1-249-431-11	CARBON	15K	5%	1/4W	R805	1-249-427-11	CARBON	6.8K	5%	1/4W
R708	1-247-868-11	CARBON	36K	5%	1/4W	R806	1-249-419-11	CARBON	1.5K	5%	1/4W
R709	1-249-435-11	CARBON	33K	5%	1/4W	R807	1-259-452-11	CARBON	10K	5%	1/6W
R710	1-249-435-11	CARBON	33K	5%	1/4W	R808	1-259-432-11	CARBON	1.5K	5%	1/6W
R711	1-247-872-11	CARBON	51K	5%	1/4W	R809	1-249-425-11	CARBON	4.7K	5%	1/4W
R712	1-249-435-11	CARBON	33K	5%	1/4W	R810	1-249-409-11	CARBON	220	5%	1/4W
R713	1-249-435-11	CARBON	33K	5%	1/4W	R811	1-259-428-11	CARBON	1K	5%	1/6W
R714	1-249-435-11	CARBON	33K	5%	1/4W	R812	1-259-448-11	CARBON	6.8K	5%	1/6W
R715	1-249-435-11	CARBON	33K	5%	1/4W	R813	1-259-448-11	CARBON	6.8K	5%	1/6W
R716	1-249-435-11	CARBON	33K	5%	1/4W	R814	1-249-417-11	CARBON	1K	5%	1/4W
R717	1-249-435-11	CARBON	33K	5%	1/4W	R815	1-249-425-11	CARBON	4.7K	5%	1/4W
R719	1-249-429-11	CARBON	10K	5%	1/4W	R816	1-249-425-11	CARBON	4.7K	5%	1/4W
△R720	1-212-954-11	FUSIBLE	6.8	5%	1/2W F	R817	1-249-425-11	CARBON	4.7K	5%	1/4W
R721	1-249-429-11	CARBON	10K	5%	1/4W	R818	1-249-433-11	CARBON	22K	5%	1/4W
R722	1-249-431-11	CARBON	15K	5%	1/4W	R819	1-249-436-11	CARBON	39K	5%	1/4W
R723	1-247-834-11	CARBON	1.3K	5%	1/4W	R820	1-249-429-11	CARBON	10K	5%	1/4W
R724	1-249-424-11	CARBON	3.9K	5%	1/4W	R821	1-249-437-11	CARBON	47K	5%	1/4W
R725	1-247-834-11	CARBON	1.3K	5%	1/4W	△R825	1-219-135-11	FUSIBLE	0.15	10%	1/4W
R726	1-249-427-11	CARBON	6.8K	5%	1/4W	△R826	1-219-137-11	FUSIBLE	0.33	10%	1/4W
R727	1-249-430-11	CARBON	12K	5%	1/4W						
△R728	1-212-952-00	FUSIBLE	5.6	5%	1/2W F						

**Note:**

The components identified by mark △ or dotted line with mark △ are critical for safety. Replace only with part number specified.

**Note:**

Les composants identifiés par une marque △ sont critiques pour la sécurité. Ne les remplacer que par une pièce portant le numéro spécifié.

**MAIN REEL MOTOR**

Ref. No.	Part No.	Description	Remarks
< VARIABLE RESISTOR >			
RV121	1-238-015-11	RES, ADJ, CARBON 4.7K	
RV141	1-238-017-11	RES, ADJ, CARBON 22K	
RV181	1-238-017-11	RES, ADJ, CARBON 22K	
RV221	1-238-015-11	RES, ADJ, CARBON 4.7K	
RV241	1-238-017-11	RES, ADJ, CARBON 22K	
RV281	1-238-017-11	RES, ADJ, CARBON 22K	
RV501	1-241-403-11	RES, VAR, CARBON 50K/50K (REC LEVEL)	
RV502	1-238-904-11	RES, VAR, CARBON 50K/50K (BALANCE)	
RV503	1-241-404-11	RES, VAR, CARBON 5K/5K (REC LEVEL)	
RV504	1-238-015-11	RES, ADJ, CARBON 4.7K	
RV505	1-238-085-11	REA, VAR, CARBON 20K/20K (PHONE LEVEL)	
RV506	1-241-747-11	RES, VAR, CARBON 10K (BIAS)	
RV508	1-238-021-11	RES, ADJ, CARBON 220K (K679ES)	
RV508	1-238-022-51	RES, ADJ, CARBON 330K (K690)	
< SWITCH >			
S501	1-572-154-11	SWITCH, ROTARY (DOLBY NR)	
S502	1-554-118-00	SWITCH, PUSH (1 KEY) (MPX FILTER)	
S701	1-571-520-11	SWITCH, SLIDE (TIMER)	
S801	1-554-118-00	SWITCH, PUSH (1 KEY) (POWER)	
< TRANSFORMER >			
T181	1-433-344-11	TRANSFORMER, BIAS OSCILLATION	
T281	1-433-344-11	TRANSFORMER, BIAS OSCILLATION	
T501	1-433-380-11	TRANSFORMER, BIAS OSCILLATION	
< VIBRATOR >			
X701	1-577-359-21	VIBRATOR, CERAMIC 4.19MHz	
*****			
*	1-632-741-11	REEL MOTOR BOARD	
*****			
< CAPACITOR >			
C1051	1-124-907-11	ELECT 10uF 20% 50V	
C1052	1-124-907-11	ELECT 10uF 20% 50V	
C1053	1-164-159-11	CERAMIC 0.1uF 50V	
< CONNECTOR >			
* CN1051	1-564-499-11	PIN, CONNECTOR 6P	
* CN1052	1-564-718-11	PIN, CONNECTOR (SMALL TYPE) 2P	
* CN1053	1-564-718-11	PIN, CONNECTOR (SMALL TYPE) 2P	
< RESISTOR >			
R1051	1-249-414-11	CARBON 560 5% 1/4W	
*****			

Ref. No.	Part No.	Description	Remarks
MISCELLANEOUS			
*****			
△12	1-555-795-00	CORD, POWER, EULO PLUG (K690:AEP, Germany)	
△12	1-556-035-00	CORD, POWER (K679ES:UK)	
△12	1-558-945-11	CORD, POWER (POLAR. SPT-1) (K679ES:US, Canadian/K690:US)	
* 125	1-608-268-00	PC BOARD, ERASE HEAD	
D1051	8-719-980-85	DIODE SLF325C	
HE1001	1-543-836-11	HEAD, MAGNETIC (ERASE)	
HRP1001	1-543-834-11	HEAD, MAGNETIC (REC/PB) (K690)	
HRP1001	1-543-835-11	HEAD, MAGNETIC (REC PB) (K679ES)	
M1051	X-3356-638-1	MOTOR (REEL R) ASSY	
M1052	X-3356-604-1	MOTOR (ASSIST) ASSY	
M1053	X-3356-635-1	MOTOR (CAPSTAN R2) ASSY	
S1001	1-466-238-11	ENCODER, ROTARY	
△T901	1-450-100-11	TRANSFORMER, POWER (K679ES:US, Canadian /690:US)	
△T901	1-450-399-11	TRANSFORMER, POWER (K679ES:UK /K690:AEP, Germany)	
*****			
ACCESSORIES & PACKING MATERIALS			
*****			
	1-558-271-11	CORD, CONNECTION	
	1-558-271-11	CORD, CONNECTION	
*	3-350-830-01	CUSHION (K690)	
*	3-376-443-41	INDIVIDUAL CARTON (K690)	
	3-755-069-21	MANUAL, INSTRUCTION (ENGLISH) (K679ES)	
	3-755-069-31	MANUAL, INSTRUCTION (FRENCH) (K679ES:Canadian)	
	3-755-084-11	MANUAL, INSTRUCTION (ENGLISH, FRENCH, SPANISH) (K690:AEP)	
	3-755-084-21	MANUAL, INSTRUCTION (ENGLISH) (K690:US)	
	3-755-084-41	MANUAL, INSTRUCTION (GERMAN, DUTCH, SWEDISH, ITALIAN, PORTUGUESE) (K690:AEP)	
	3-755-084-51	MANUAL, INSTRUCTION (GERMAN) (K690:Germany)	
	3-793-481-13	INSTRUCTION	
	9-910-999-33	INSTRUCTION (K679ES:US/K690:US)	
*****			

<p><b>Note:</b> The components identified by mark △ or dotted line with mark △ are critical for safety. Replace only with part number specified.</p>	<p><b>Note:</b> Les composants identifiés par une marque △ sont critiques pour la sécurité. Ne les remplacer que par une pièce portant le numéro spécifié.</p>
--	--

<u>Ref. No.</u>	<u>Part No.</u>	<u>Description</u>	<u>Remarks</u>
-----------------	-----------------	--------------------	----------------

**HARDWARE LIST**

\*\*\*\*\*

#1	7-685-534-19	SCREW +BTP 2.6X8 TYPE2 N-S	
#2	7-682-547-04	SCREW +BVTT 3X6 (S)	
#3	7-682-548-09	SCREW +BVTT 3X8 (S)	
#4	7-621-849-00	SCREW (BV/RING)	
#5	7-671-154-01	STENLESS BALL	
#6	7-628-253-00	SCREW +PS 2X4	
#7	7-685-133-19	SCREW +BTP 2.6X6 TYPE2 N-S	
#8	7-621-255-20	SCREW +BVTT 2X4 (S)	
#10	7-621-772-70	SCREW +B 2X14	
#11	7-622-205-05	NUT M2 TYPE2	
#12	7-621-772-18	SCREW +B 2X4	
#13	7-621-773-86	SCREW +B 2.6X4 (K679ES)	
#13	7-621-775-10	SCREW +B 2.6X4 (K690)	
#14	7-621-255-35	SCREW +BVTT 2X5 (S)	
#15	7-682-647-09	SCREW +PS 3X6	
#16	7-685-870-01	SCREW +BVTT 3X5 (S)	

